

1. General information

1.1 Introduction

Dear Customer,

You are now the proud owner of a WESTMARINE inflatable boat. You have thus acquired the assurance of quality, since our boats are manufactured in strict conformity with international ISO 6185 safety regulations.

Each boat has a Craft Identification Number (CIN), which you will find on the SERIAL Number plate on the outside of boat transom, carton markings and on the enclosed warranty registration card.

Model name and CIN number needs to be mentioned in all correspondence with us or any authorised service station. It is only with this number that we will be able to identify your boat and give you the relevant information and service.

The specifications and information contained in this manual can be modified without prior notice and without obligation to update them.

Keep this manual safe onboard your boat. If the boat is transferred, make sure to provide this manual together to the new owner.

If you have a problem, or if you have questions concerning your boat, contact your supplier or any WESTMARINE dealer.

Please read this manual carefully, ensuring that you understand and are able to operate the boat accordingly and safely.

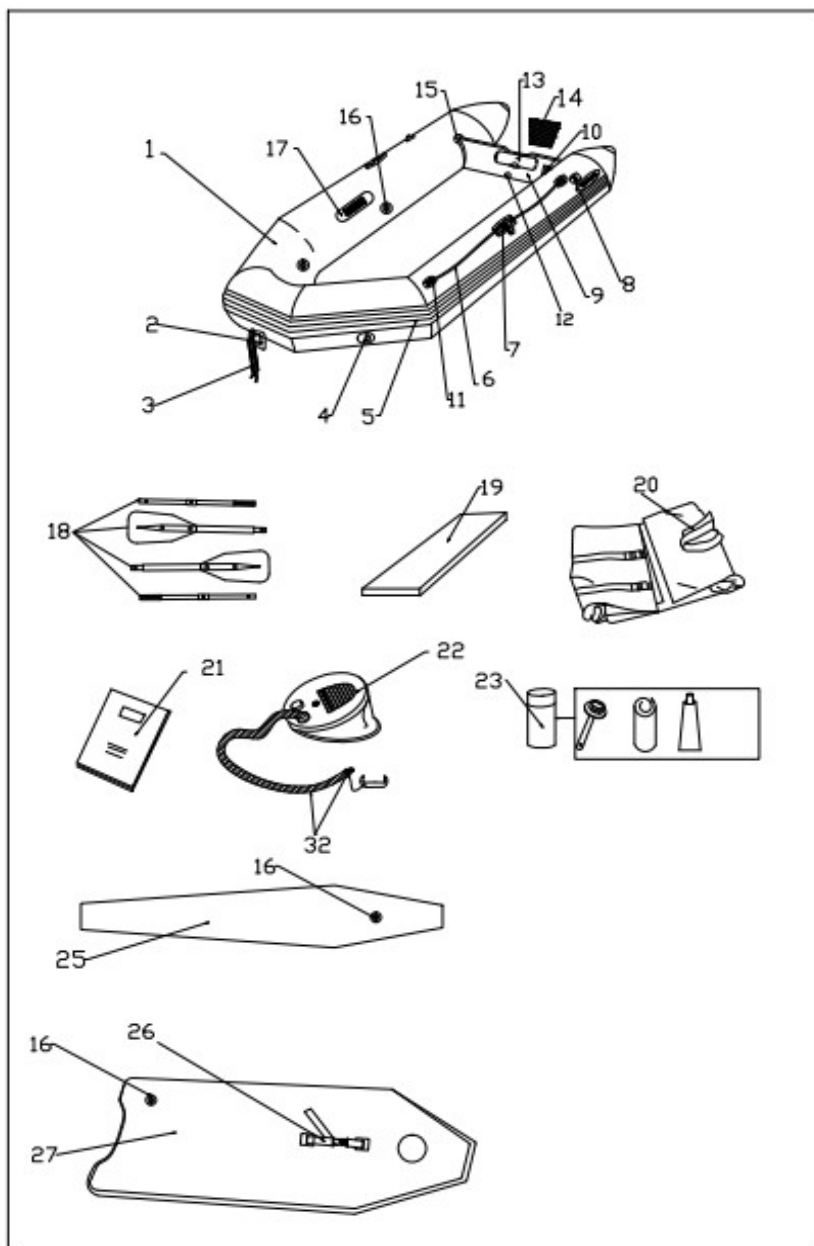
This publication should not be copied and/or published, even partially, without prior written authorization.

1.2 Parts in package

Do not use a sharp cutter type tool or knife to open the packing carton. Doing so, you may damage the boat or parts.

Your boat's package should include parts shown in **drawing 1-1 to 1-13.**

**Description drawings of Westmarine inflatable boats
Inflatable floor models**

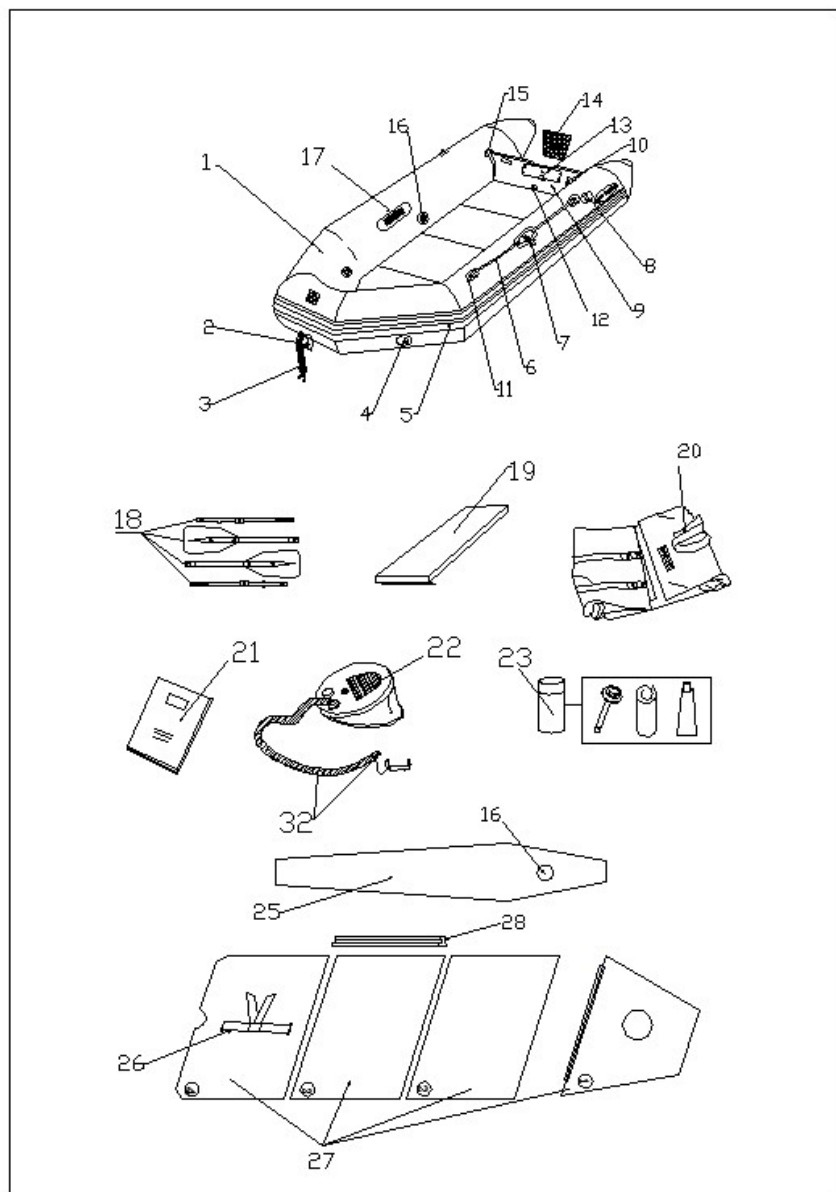


1-1

Description

NO.	Sku	Part Name for PHP275/310 14272470/14272447
1	14807978-L Gry 14807986-D Gry	Fabric
2	14808026	Super D ring patch
3	14807887	Towing rope
4	13061429	Large D ring patch
5	14807796	Rubbing strake
6	14807861	Life line
7	14814248	Oar lock
8	15493315	Oar stopper
11	14807838	Rope holder
12	9836107	Drain plug
13	9836081	Plastic pad
14	9508177	PVC plate
15	14807788	Transom holder
16	9508060	Valve
17	14807846	Seat patch
18	9836115	Oar
19	9836289	Seat
20	14807614	Carry bag
21	15493307	Manual
22	14807747	Pump
23	14807713	Repair kit
25	14807895-HP275 14807903-HP310	Keel
26	13061387	Tank rest
27	14807911-HP275 14807929-HP310	Inflatable floor
32	10975381	hose & adapter for pump

Aluminum floor models

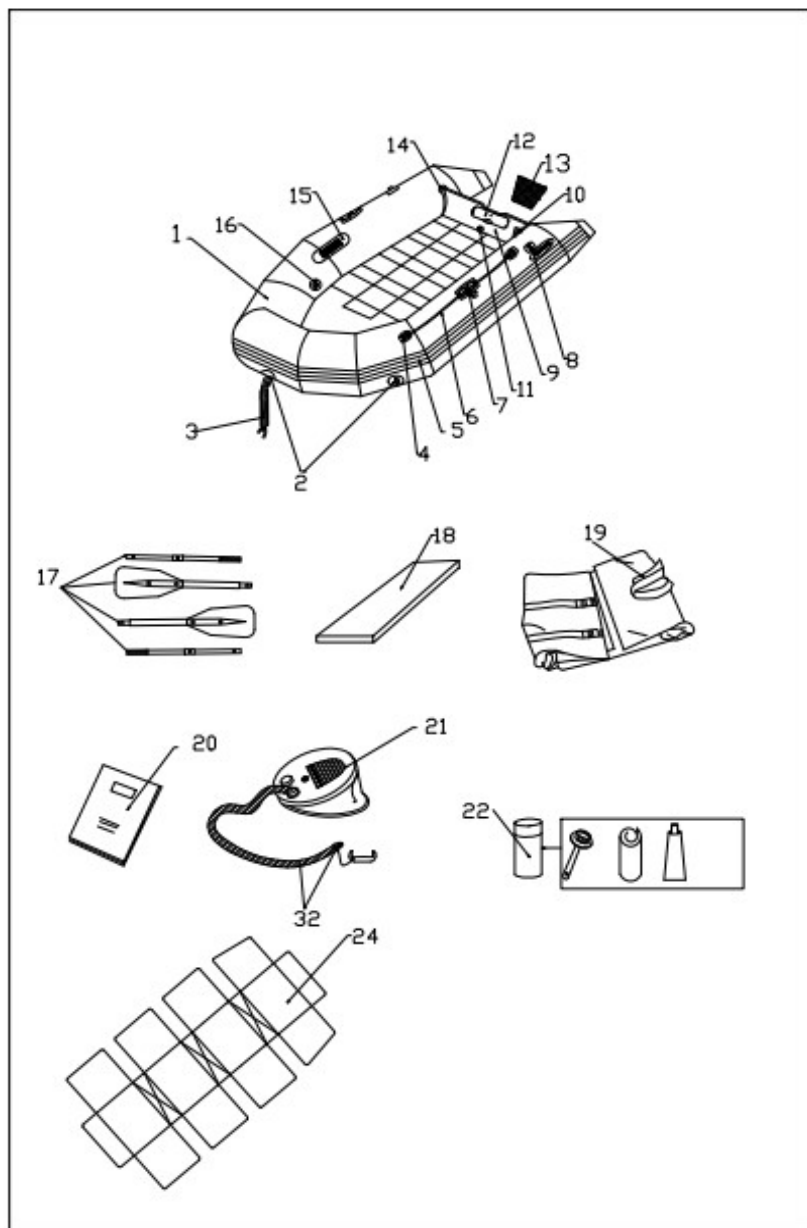


1-2

Description

NO.	Sku	Part for PSB275/310AL FLOOR 19776855/19776863
1	14807978-L Gry 14807986-D Gry	Fabric
2	14808026	Super D ring patch
3	14807887	Towing rope
4	13061429	Large D ring patch
5	14807796	Rubbing strake
6	14807861	Life line
7	14814248	Oar lock
8	15493315	Oar stopper
11	14807838	Rope holder
12	9836107	Drain plug
13	9836081	Plastic pad
14	9508177	PVC plate
15	14807788	Transom holder
16	9508060	Valve
17	14807846	Seat patch
18	9836115	Oar
19	9836289	Seat
20	14807614-Tube 14807606-Floor	Carry bag
21	15493307	Manual
22	14807754	Pump
23	14807713	Repair kit
25	14807895 14807903	Keel
26	13061387	Tank rest
27	14807697-#1 14807630-#2 14807655-#3 14807671-#4	Wooden floor #1 for SB275 Aluminum floor #2#3#4 for SB275
27	14807697-#1 14807648-#2 14807663-#3 14807689-#4	Wooden floor #1 for SB310 Aluminum floor #2#3#4 for SB310
28	14807705-75CM 9508235-85CM	Stringer
32	10975381	hose & adapter for pump

Slatted Floor models (PRU3)

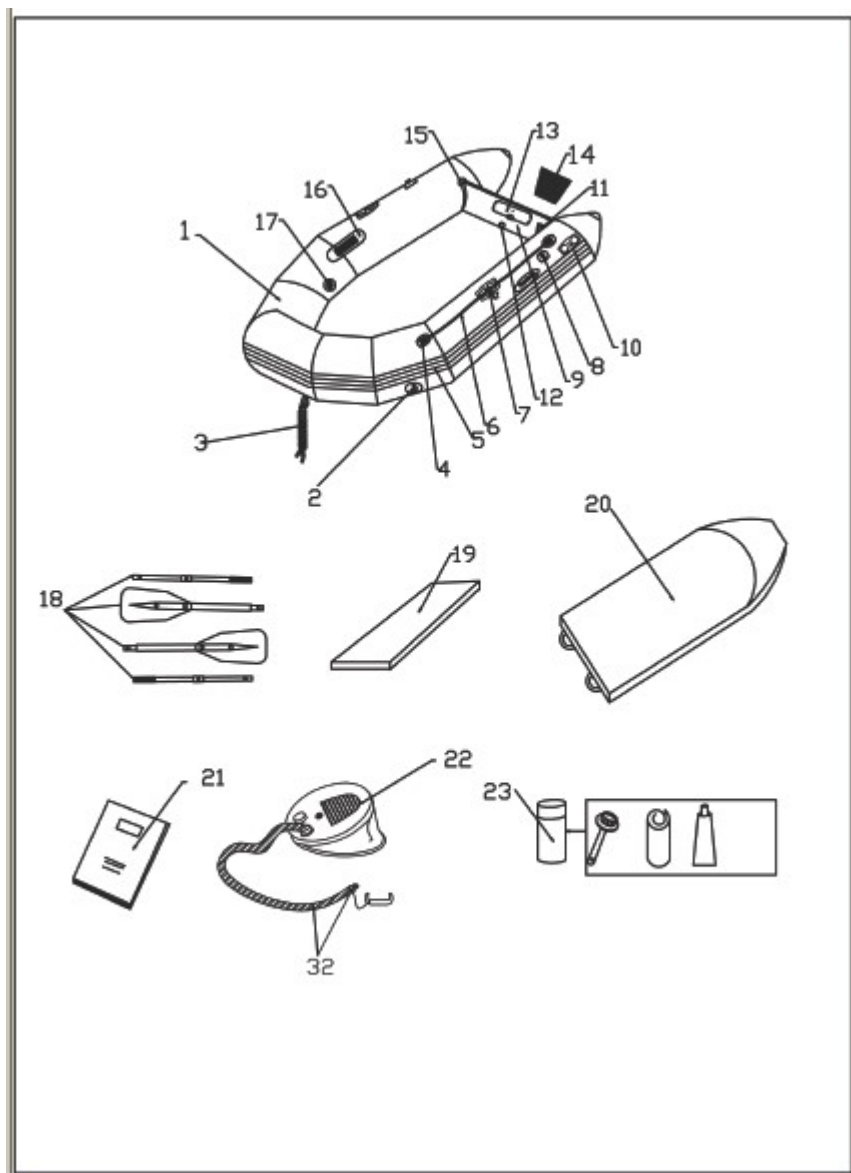


1-3

Description

NO.	Sku	Part name for PRU3 14272488
1	14807994-Wh 14808000-Gry	Fabric
2	13061429	Large D ring patch
3	14807879	Towing rope
4	14807838	Rope holder
5	14807812	Rubbing strake
6	14807853	Life line
7	14814248	Oar lock
8	15493315	Oar stopper
11	9836107	Drain plug
12	9836081	Plastic pad
13	9508177	PVC plate
14	14807770	Transom holder
15	14807846	Seat patch
16	9508060	Valve
17	9836115	Oar
18	14807762	Seat
19	14807614	Carry bag
20	15493307	Manual
21	14807754	Pump
22	14807721	Repair kit
24	14807937	Wooden slat
32	10975381	hose & adapter for pump

FOLDABLE TRANSOM RIB COMPACT RIB-310

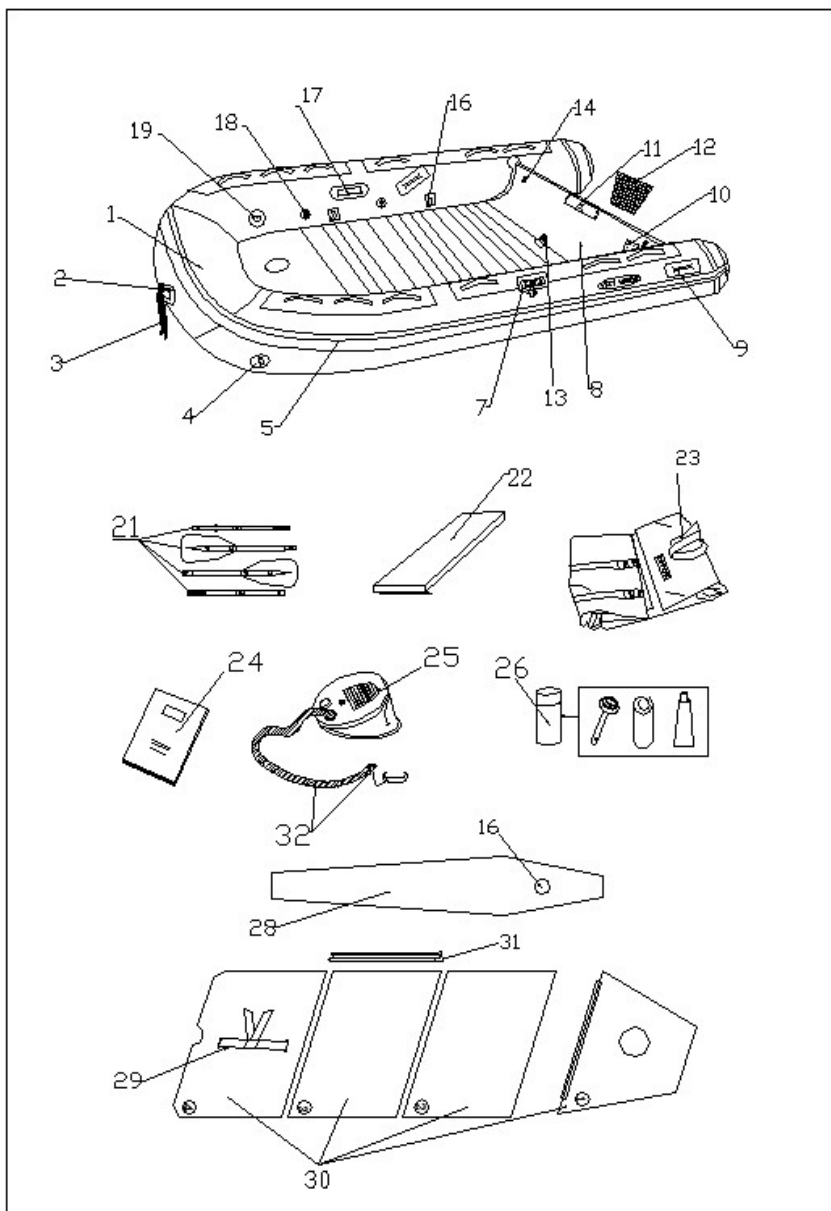


1-4

Description

NO.	SKU	Part Name for compact 310RIB 14460885
1	14808018	Fabric
2	13061429	Large D ring patch
3	14807887	Towing rope
4	14807838	Rope holder
5	14807804	Rubbing strake
6	14807861	Life line
7	14814248	Oar lock
8	15493315	Oar stopper
10	13061346	Lifting handle
12	9836107	Drain plug
13	9836081	Plastic pad
14	9508177	PVC plate
15	14807788	Transom holder
16	14807846	Seat patch
17	9508060	Valve
18	9836115	Oar
19	9836289	Seat
20	14807622	Carry bag for compact 310RIB
21	15493307	Manual
22	14807754	Pump
23	14807739	Repair kit
32	10975381	hose & adapter for pump

Hypalon AL model(AL290/320HYP AL FLOOR)

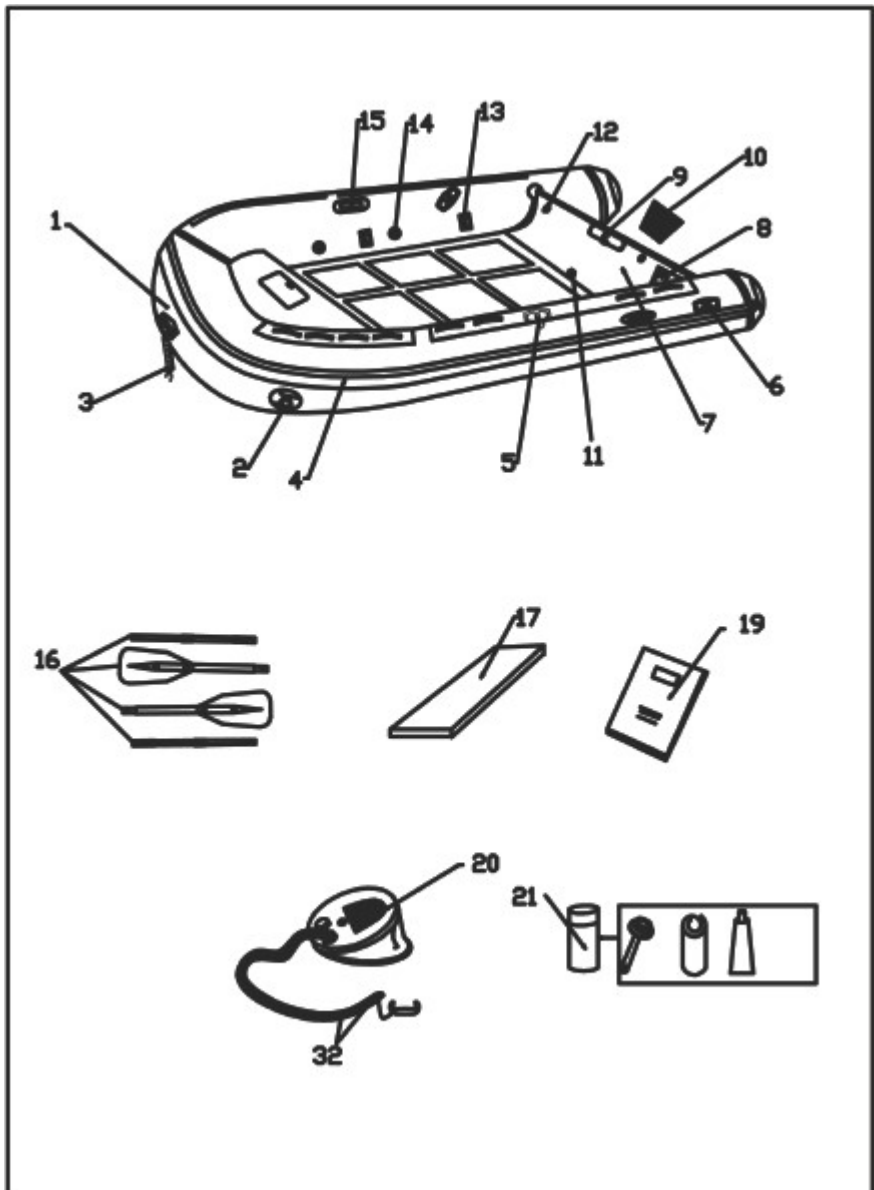


1-5

Description

NO.	Sku	Part name for AL290/320HYP 19776723 /19776731
1	Gry Wh	Fabric
2	15493323	Super D ring patch
3	14807879	Towing rope
4	9508102	Large D ring patch
5	15493406	Rubbing strake
7	9508086	Oar lock
9	13061361	Lifting handle
11	9836081	Plastic pad
12	9508177	PVC plate
13	9836107	Drain plug
14	15493273	eye nut
16	15493455	Velcro system
17	15493414	Seat patch
18	9508060	Valve
19	9508110	Middle D ring patch
21	9836115	Oar
22	9836289	Seat
23	9995689	Carry bag
24	15493307	Manual
25	14807754	Pump
26	13061262	Repair kit
29	13061387	Tank rest
30	9836321	AL floor
31	9508243	Stringer
32	10975381	hose & adapter for pump

PVC RIB models RIB-310/350

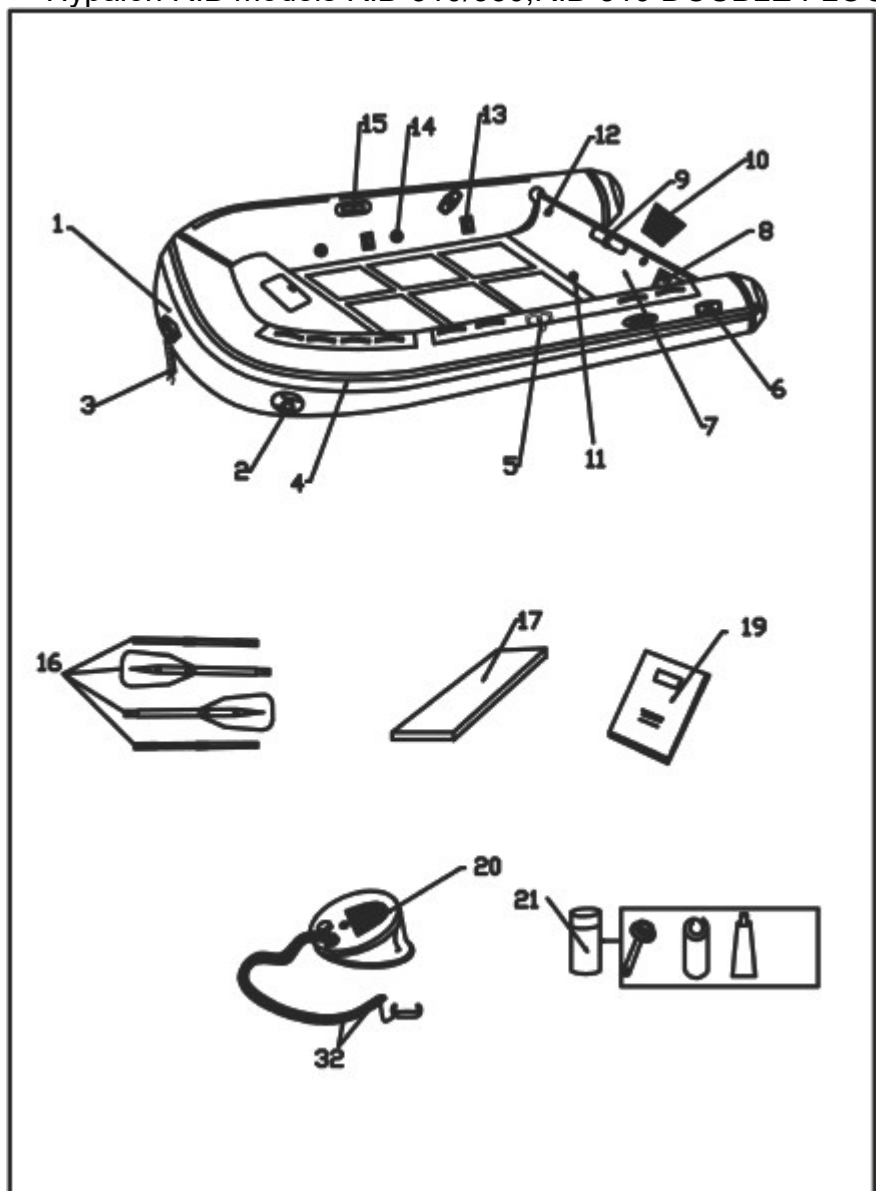


1-6

Description

NO.	Sku	Part name for PVC RIB boats 13060991/13061007
1	13061098-Gry 13061080-D Gry	Fabric
2	13061429	Large D ring patch
3	14807879	Towing rope
4	15493372-BLK 15493398-GRY+3WHT	Rubbing strake
5	14814248	Oar lock
6	13061346	Lifting handle
9	9836081	Plastic pad
10	9508177	PVC plate
11	9836107	Drain plug
12	15493448	U bolt
13	15493471	Velcro system
14	9508060	Valve
15	14807846	Seat patch
16	9836115	Oar
17	9836313	GRP Seat
19	15493307	Manual
20	14807754	Pump
21	13061254	Repair kit
32	10975381	hose & adapter for pump

Hypalon RIB models RIB-310/350, RIB-310 DOUBLE FLOOR

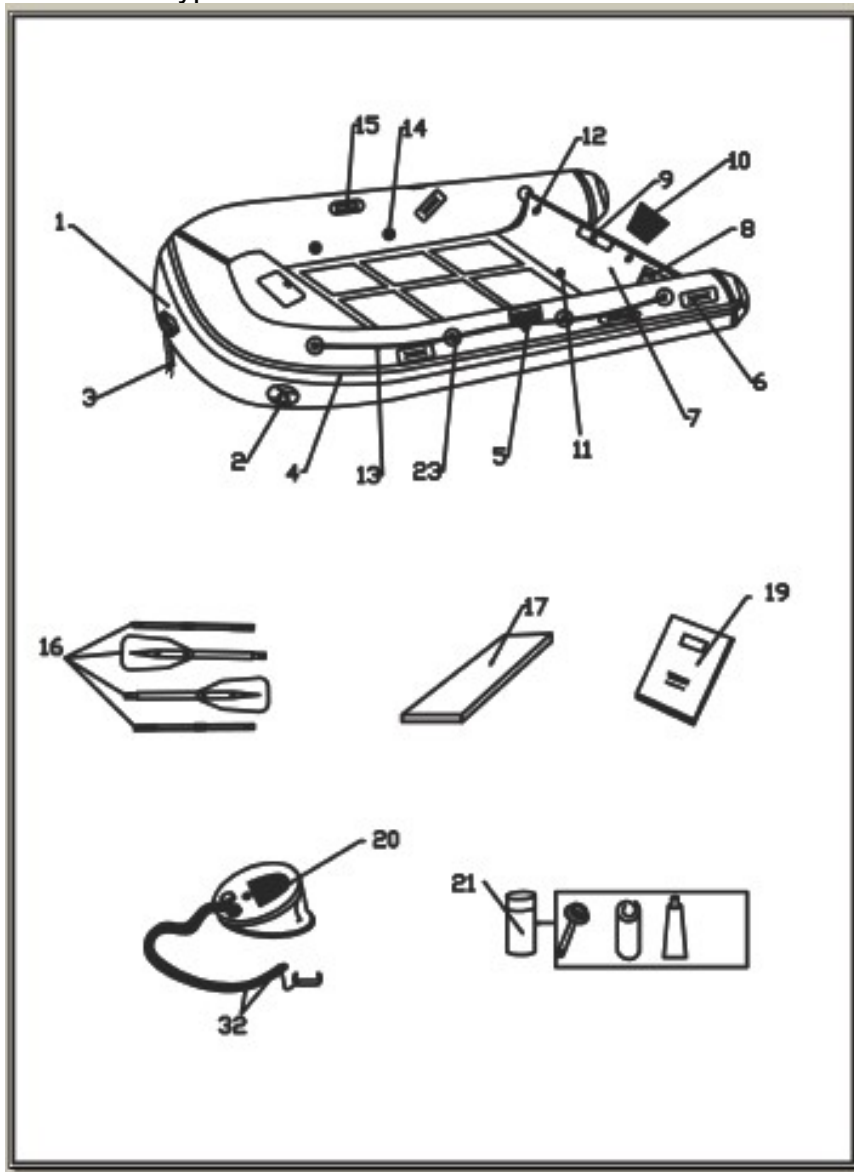


1-7

Description

NO.	Sku	Part name for HYP RIB boats 19776798/19776814/19776806
1	Gry Wh	Fabric
2	15493331	Large D ring patch
3	14807879	Towing rope
4	15493406	Rubbing strake
5	9508086	Oar lock
6	13061361	Lifting handle
9	9836081	Plastic pad
10	9508177	PVC plate
11	9836107	Drain plug
12	15493448	U bolt
13	15493455	Velcro system
14	9508060	Valve
15	15493414	Seat patch
16	9836115	Oar
17	9836313	Seat
19	15493307	Manual
20	14807754	Pump
21	13061270	Repair kit
23	15493349	Small D ring patch
24	15493299	Life line
32	10975381	hose & adapter for pump

Hypalon RIB models RIB-350 White

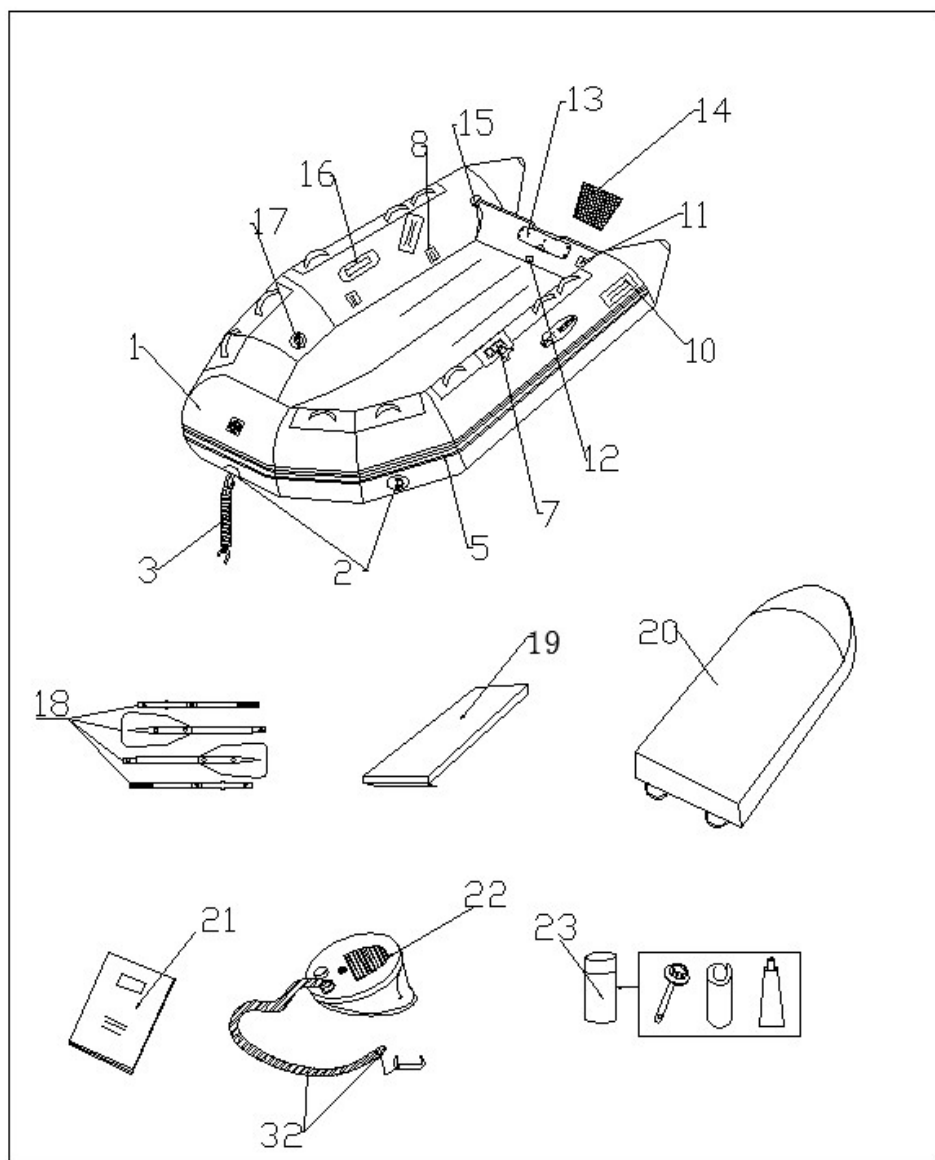


1-8

Description

NO.	Sku	Part name for 350RIB WHT 19776822
1	Wh	Fabric
2		Large D ring patch
3	14807879	Towing rope
4	15493406	Rubbing strake
5	9508086	Oar lock
6	13061361	Lifting handle
9	9836081	Plastic pad
10	9508177	PVC plate
11	9836107	Drain plug
12	15493448	U bolt
13	15493299	Life line
14	9508060	Valve
15	15493422	Seat patch
16	9836115	Oar
17	9836313	Seat
19	15493307	Manual
20	14807754	Pump
21	13061270	Repair kit
23	15493356	Small D ring patch
32	10975381	hose & adapter for pump

Hypalon RIB 310 COMPACT AL HULL

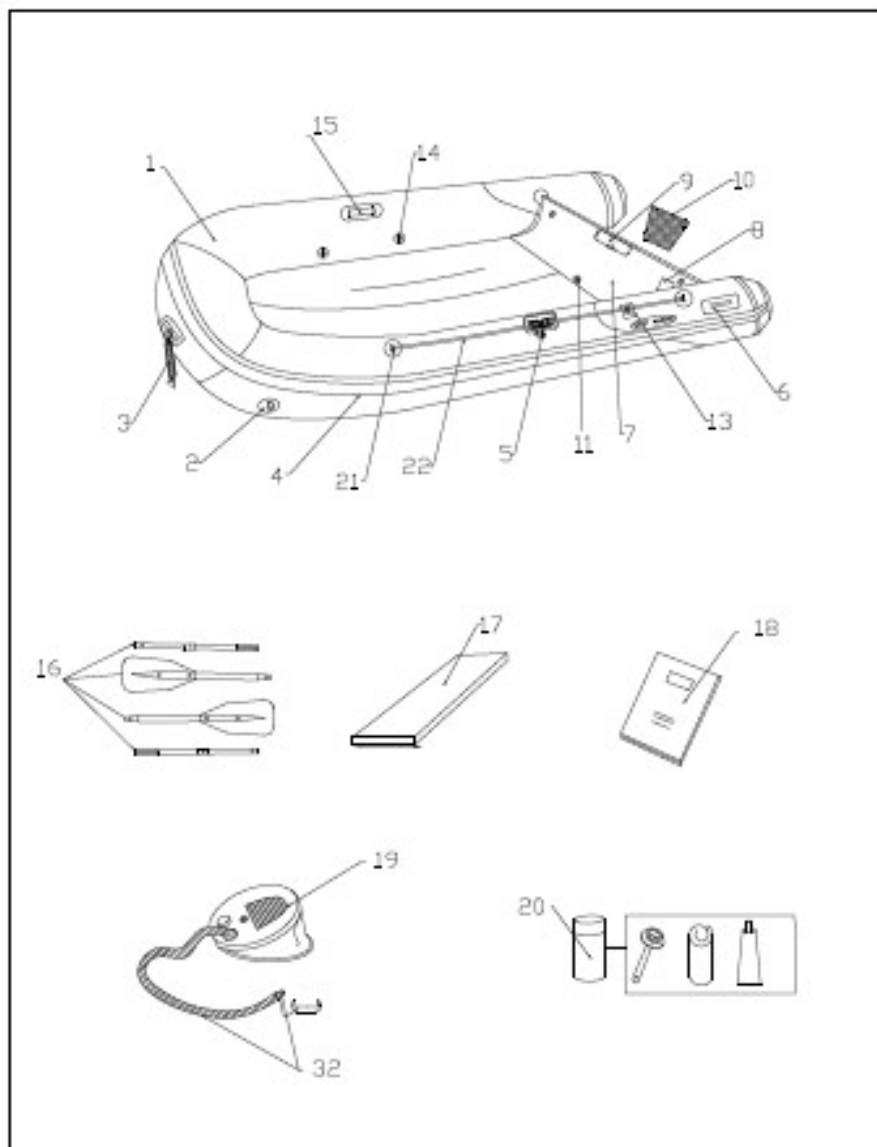


1-9

description

NO.	Sku	Part Name for RIB 310COMPACT AL HULL 19776749
1		Fabric
2	15493331	Large D ring patch
3	14807887	Towing rope
5	15493406	Rubbing strake
7	14814248	Oar lock
10	13061346	Lifting handle
12	9836107	Drain plug
13	9836081	Plastic pad
14	9508177	PVC plate
15	14807788	Transom holder
16	14807846	Seat patch
17	9508060	Valve
18	9836115	Oar
19	9836289	Seat
20		Carry bag for RIB 310COMPACT AL HULL HYP
21	15493307	Manual
22	14807754	Pump
23	14807739	Repair kit
32	10975381	hose & adapter for pump

Hypalon AL RIB models RIB-275/310 AL

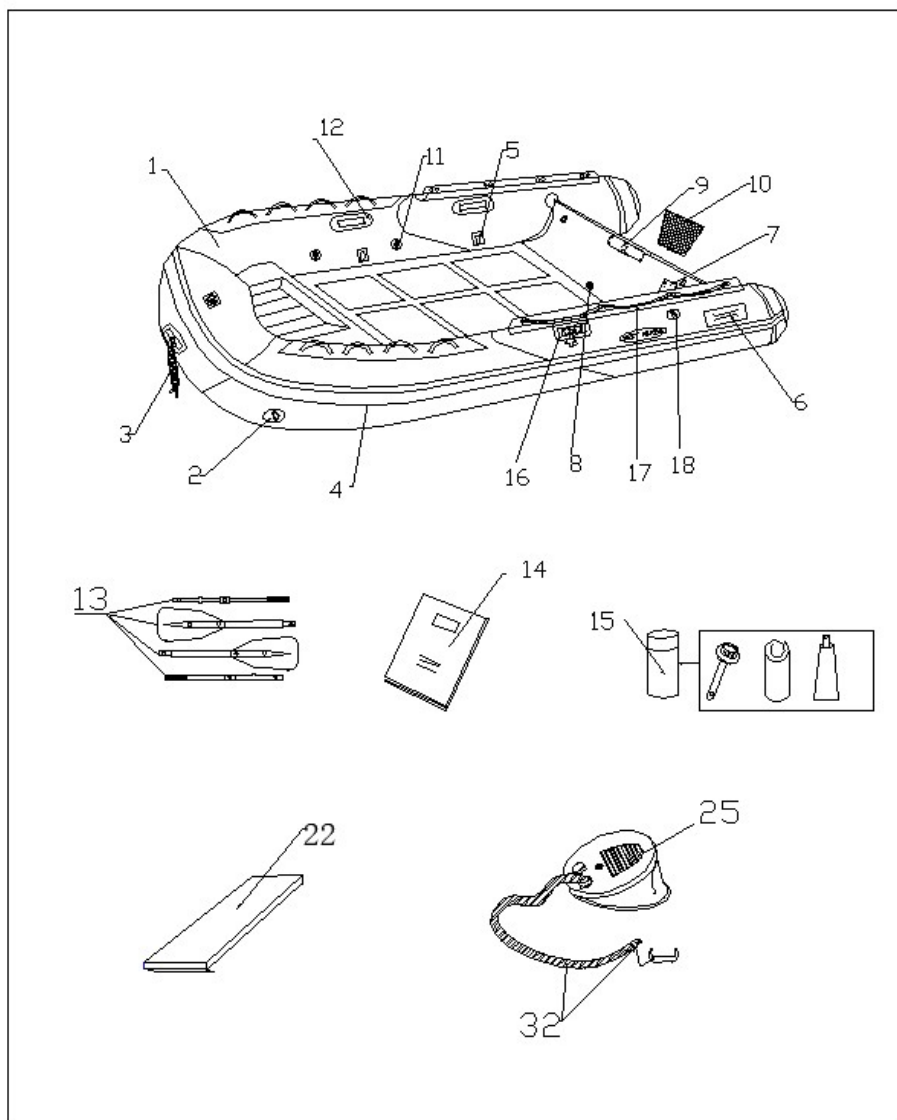


1-10

description

NO.	Sku	Part name for HYP AL RIB boats 19776830/19776848
1		Fabric
2	15493331	Large D ring patch
3	14807879	Towing rope
4	15493406	Rubbing strake
5	9508086	Oar lock
6	13061361	Lifting handle
9	9836081	Plastic pad
10	9508177	PVC plate
11	9836107	Drain plug
13		Oar stopper
14	9508060	Valve
15	15493414	Seat patch
16	9836115	Oar
17	9836313	Seat
18	15493307	Manual
19	14807754	Pump
20	13061270	Repair kit
21		Small D ring patch
22	15493299	Life line
32	10975381	hose & adapter for pump

Hypalon RIB models RIB 330 FIBREGLASS HULL

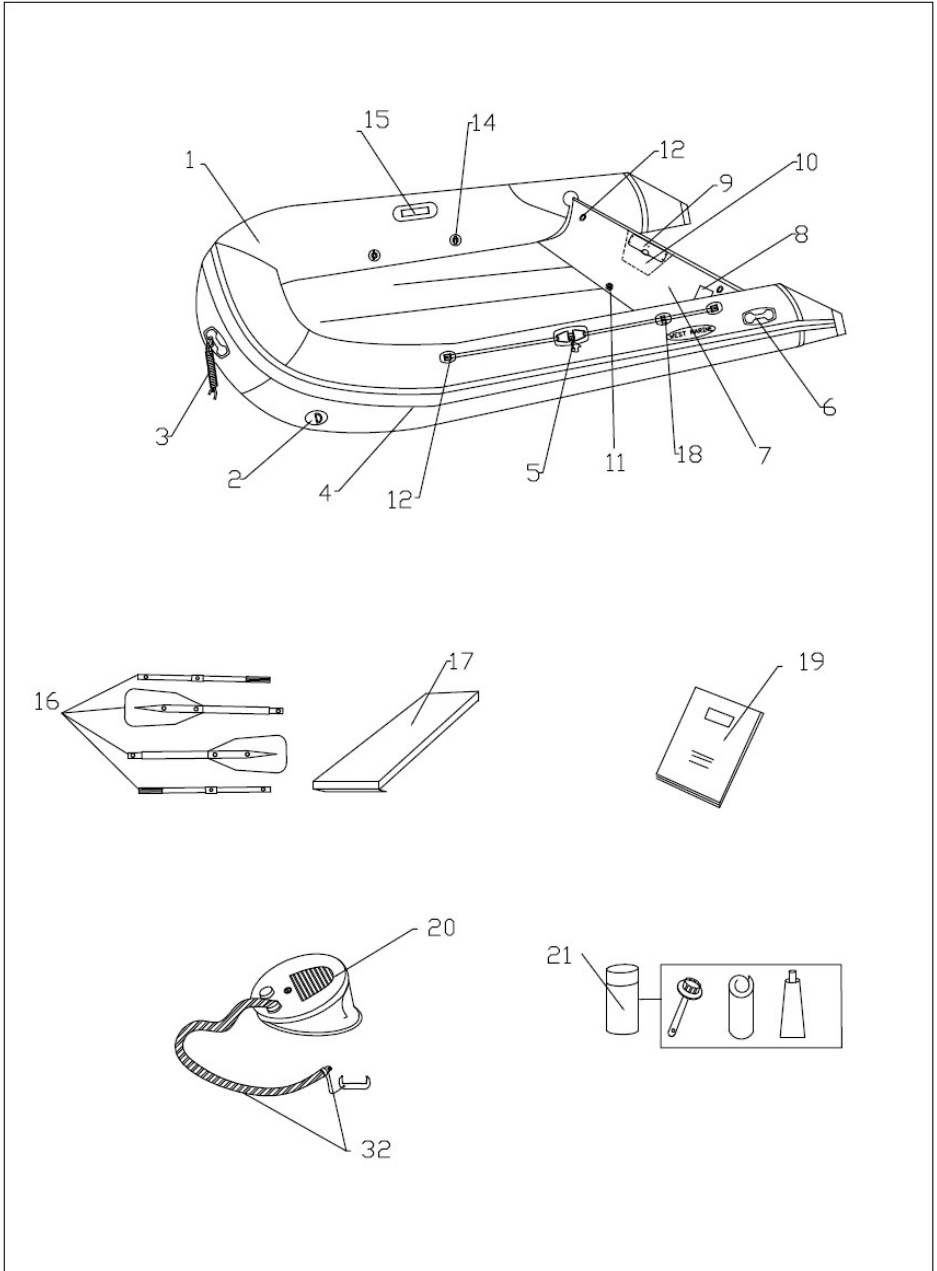


1-11

Description

NO.	Sku	Part name for RIB 330 FIBREGLASS HULL HYP 19776756
1		Fabric
2		Large D ring patch
3	14807879	Towing rope
4	15493406	Rubbing strake
5	15493455	Velcro system
6	13061361	Lifting handle
8	9836107	Drain plug
9	9836081	Plastic pad
10	9508177	PVC plate
11	9508060	Valve
12	14807846	Seat patch
13	9836115	Oar
14	15493307	Manual
15	13061254	Repair kit
16	14814248	Oar lock
17	15493299	Life line
18		Oar stopper
22		GRP SEAT
25	14807754	Pump
32	10975381	hose & adapter for pump

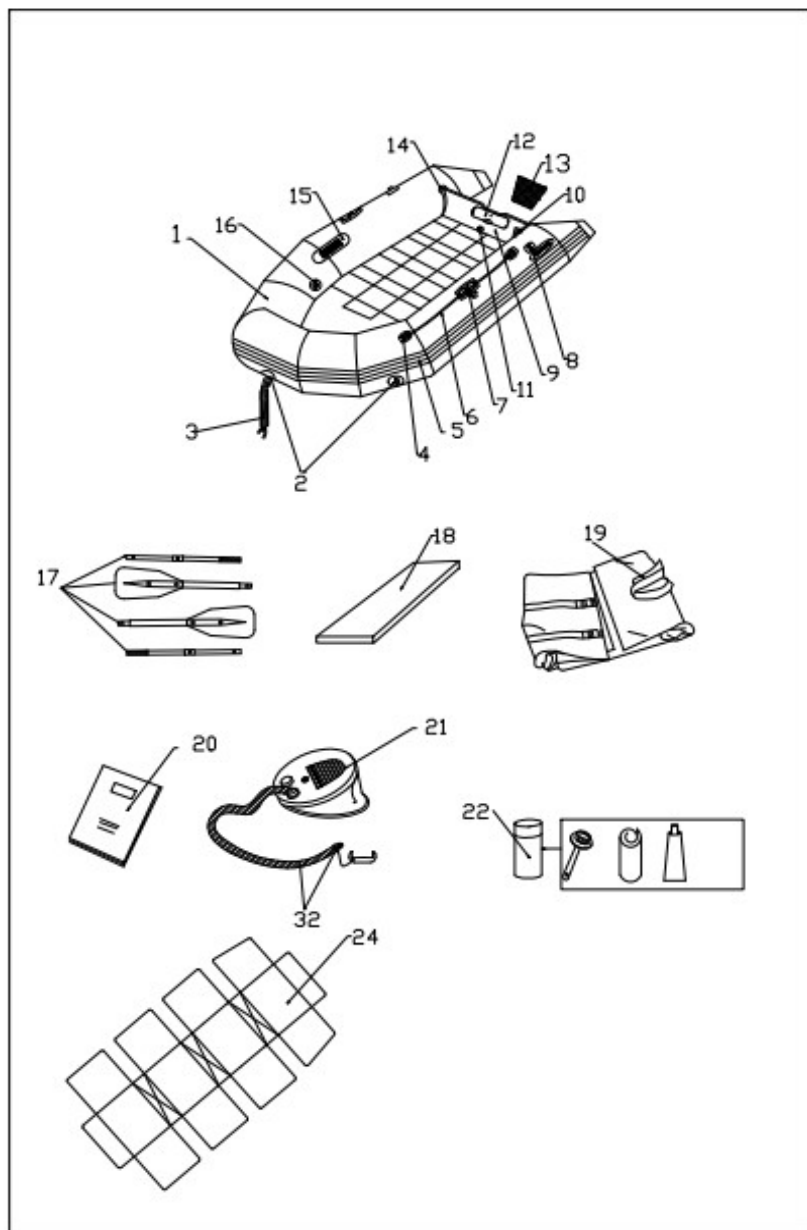
PVC RIB models RIB-260



Description

NO.	SKU	Part name for PVC RIB boats 18981621
1	13061098-Gry 13061080-D Gry	Fabric
2	13061429	Large D ring patch
3	14807879	Towing rope
4	15493372-BLK 15493398-GRY+3WHT	Rubbing strake
5	14814248	Oar lock
6	13061346	Lifting handle
9	9836081	Plastic pad
10	9508177	PVC plate
11	9836107	Drain plug
12	15493448	U bolt
14	9508060	Valve
15	14807846	Seat patch
16	9836115	Oar
17	9836313	GRP Seat
18	15493315	Oar Stopper
19	15493307	Manual
20	14807754	Pump
21	13061254	Repair kit
32	10975381	hose & adapter for pump

Slatted Floor models (PRU3 CSM/HYP)

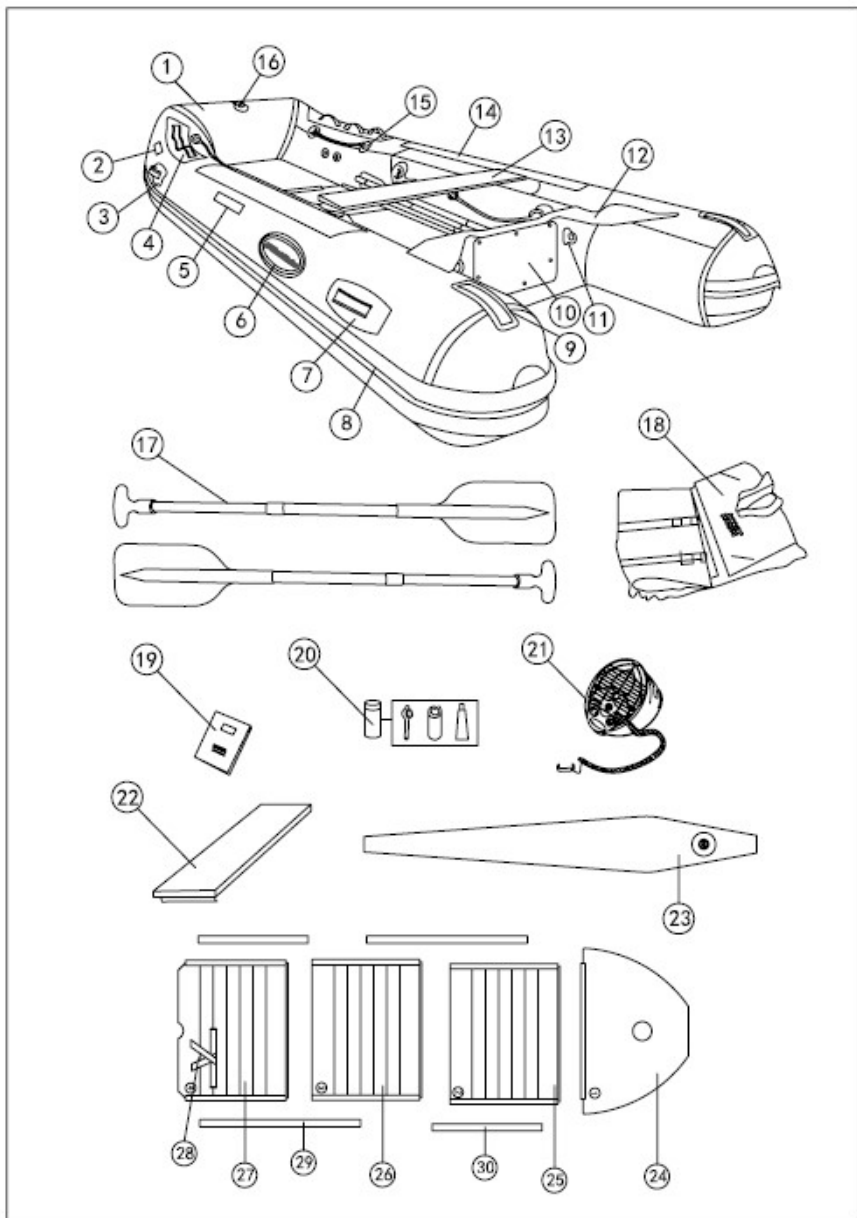


1-13

Description

NO.	Sku	Part name for PRU-3 CSM/HYP 20641825
1	Wh Gry	Fabric
2		Large D ring patch
3	14807879	Towing rope
4		M-D-Ring patch
5		Rubbing strake
6	14807853	Life line
7		Oar lock
8		Oar stopper
11	9836107	Drain plug
12	9836081	Plastic pad
13	9508177	PVC plate
14		Transom holder
15		Seat patch
16	9508060	Valve
17	9836115	Oar
18		Seat
19	14807614	Carry bag
20	15493307	Manual
21	14807754	Pump
22		Repair kit
24		Wooden slat
32	10975381	hose & adapter for pump

Hypalon AL model(HD 400 AL AL FLOOR)



1-14



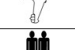
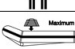
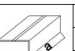
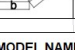
Description

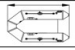


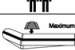


NO.	Sku	Part name for HD 400 AL 20641833
1	Wh Gry	Fabric
2,5,9		Reflective Tape
3,7		Fabric lifting handle
4		Fabric Web handle
6		logo
8		Rubbing Strake
10		PVC plate
11		Eyenuť
12		Splash fabric
13,22		Seat
14		Shark Skin fabric
15		Safety rope
16		Anchor rope guide
17		Oar
18		Carry bag
19	15493307	Manual
20		Repair kit
21		Pump
23		Keel
24		Wooden floor #1
25-30		AL floor set

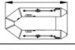
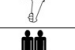
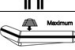
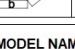
Technical information

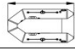





1.2.1 Key technical data is printed on the data plate on transom of every boat.

1.2.2 Full technical data for WESTMARINE inflatable is listed below:

MODEL NAME	PSB-275 AL FLOOR	PSB-310 AL FLOOR	PHP-275 AIR FLOOR	PHP-310 AIR FLOOR	PRU-3 ROLL-UP	
	275	310	275	310	255	
	9'	10'2"	9'	10'2"	8'4"	
	155	155	155	155	155	
	5'1"	5'1"	5'1"	5'1"	5'1"	
	7.4KW	11.2KW	6.0KW	7.4KW	4.4KW	
	10HP	15HP	8HP	10HP	6HP	
	4	5	4	5	3	
	500KG	600KG	500KG	600KG	450KG	
	1103 lb	1322 lb	1103 lb	1322 lb	992 lb	
	a	112/3'8"	112/3'8"	112/3'8"	110/3'8"	
	b	66/2'2"	66/2'2"	58/1'11"	61/2'	58/1'11"
	c	36/1'2"	36/1'2"	31/1'1"	33/1'1"	31/1'1"

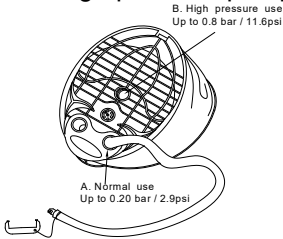
MODEL NAME	RIB-260	COMPACT RIB 310	RIB310 COMPACT AL HULL HYP	RIB-310 SINGLE FLOOR PVC	RIB-350 DOUBLE FLOOR PVC
	257	310	310	310	348
	8'5"	10'2"	10'2"	10'2"	11'5"
	155	150	150	152	176
	5'1"	4'11"	4'11"	5'	5'10"
	4.78KW	7.4KW	7.4KW	11.2KW	11.2KW
	6.5HP	10HP	10HP	15HP	15HP
	3	4	4	4	4
	460KG	400KG	400KG	520KG	600KG
	1014 lb	881 lb	881 lb	1144 lb	1320 lb
	a	216/7'1"	227/7'5"	283/9'3"	311/10'2"
	b	112/3'8"	104/3'7"	104/3'7"	126/4'2"
	c	44/17.3"	30/12"	30/12"	48/18.9"

MODEL NAME	RIB-350 DOUBLE FLOOR HYPALON	RIB-350 DOUBLE FLOOR HYPALON	RIB-310 DOUBLE FLOOR HYPALON	RIB-310 SINGLE FLOOR HYPALON	RIB 330 FIBREGLASS HULL HYP	
	348	348	310	310	328	
	11'5"	11'5"	10'2"	10'2"	10'9"	
	176	176	154	152	169	
	5'9"	5'9"	5'1"	5'	5'7"	
	11.2KW	11.2KW	11.2KW	11.2KW	18.4KW	
	15HP	15HP	15HP	15HP	25HP	
	4	4	4	4	5	
	600KG	600KG	500KG	520KG	550KG	
	1320 lb	1320 lb	1102 lb	1144 lb	1210 lb	
	a	311/10'2"	311/10'2"	283/9'3"	292/9'7"	
	b	126/4'2"	126/4'2"	115/3'9"	115/3'9"	126/4'2"
	c	54/21.3"	54/21.3"	48/1'7"	48/18.9"	55/22"

MODEL NAME	RIB-275 ALUMINUM HULL HYPALON	RIB-310 ALUMINUM HULL HYPALON	AL290HYP AL FLOOR	AL320HYP AL FLOOR	PRU-3 C.SM/HYP	HD 400 AL	
	275	310	279	318	258	398	
	9'	10'2"	9'2"	10'5"	8'5"	13'0.7"	
	150	150	154	154	155	277	
	4'11"	4'11"	5'	5'1"	5'1"	5'7"	
	7.4KW	14.7KW	7.4KW	11.2KW	4.4KW	23KW	
	10HP	20HP	10HP	15HP	6HP	30HP	
	4	5	4	5	3	7	
	425KG	495KG	500KG	620KG	450KG	860KG	
	937lb	1090lb	1100lb	1364lb	992 lb	1896 lb	
	a	251/8'3"	283/9'3"	110/3'8"	110/3'8"	125/4'1"	
	b	111/3'8"	111/3'8"	65/2'1"	65/2'1"	58/1'11"	78/2'7"
	c	48/1'7"	48/1'7"	38/1'3"	38/1'3"	31/1'1"	46/1'6"

1.3 Pump

- 1.3.1** The pump accompanied with boat is specially designed to inflate your boat to its ideal working pressure and can help you avoid all problems related to over pressure.
- 1.3.2** The pump's suction function allows you to completely deflate the boat, so that it can be folded and packed easily.
- 1.3.3** High pressure pump is supplied for HP275/310.



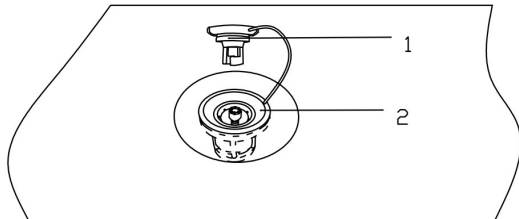
- A. Normal inflation up to pressure 5.1 psi. [**A**]
B. High pressure inflation up to 8.7 psi without cap. [**B**]

- 1.3.4** Normal pump is for segmented floor models and RIBs AL360/390,AL360/390HYP,AL290/320HYP,PRU3, PRU3 CSM/HYP,Compact RIB310,RIB310 COMPACT AL HULL HYP,RIB310/350,RIB310/350HYP,RIB310HYP Double floor, PSB275/310 AL floor,PHP-275/310 Air floor,RIB 260, RIB275/310 AL,RIB 330 RIB,HD 400AL.



1.4 Valve

- (1) **valve cap**
(2) **valve main part**



Valve(s) is positioned on every tube, inflatable keel and inflatable floor. See [16 in drawing 1-1,1-2,1-3]

It is specially designed for inflation/deflation, and will keep your tube airtight.



Valve closed
a



press button turn clockwise 1/4 turn



valve open
b



press button turn counter-clockwise 1/4 turn

1-3

1.4.1 Inflation [a in 1-3]

Turn the yellow button in center counter-clockwise 1/4 turn, make sure that the spring loaded valves comes to an up position .This is the valve position for inflation. As seen in photo [a in 1-3]. Please install valve cap after inflation

1.4.2 Deflation [b in 1-3]

Press the yellow button in center down and turn it clockwise 1/4 round which locks the valve into the open position allowing for the air to evacuate. As seen in photo [b in 1-3] above

2. Assembly`

2.1 General information

Always inflate your boat with the pump supplied or designated by your supplier.

Warning!: Do not use a compressed air source (ex.: air compressor) to inflate the boat. Over inflation may cause the seams and/or fabric themselves to rupture.

Always use a pressure gauge to confirm you are making right working pressure. The maximum inflation pressures for each part are:

3.6 psi for all PVC tube chambers,2.9 psi for all HYPALON tube chamber.

5.1 psi for keel (AL360/390 ,SB275/310,HP275/310)

3.6 psi for keel (AL290HYP AL360/390HYP,HD-400AL).

8.7 psi for removable inflatable floor (HP275/310).

Depending on climate and operating conditions, the pressure may require monitoring during boat use to maintain a correct inflation.

If the boat is inflated at sea level (low altitude) and is later brought to a high altitude (i.e. for use in a mountain lake), the air pressure must be reduced to working pressure to prevent over-inflation.

A boat inflated for 2 to 3 days may lose pressure and require re-inflation to correct operating pressure.

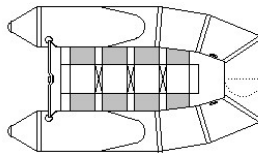
When inflating, maintain a pressure balance between air chambers on tube to prevent damage.

2.2 Preparation

- 2.2.1 Remove any sharp objects from flat surface where the boat will be assembled and inflated.
- 2.2.2 Unfold and spread out the inflatable tube flat.
- 2.2.3 Turn the yellow push-button of every valve counter-clockwise, make sure that the yellow button comes up slightly. Condition as photo **[a in 1-3]**
- 2.2.4 If the boat has not been inflated for more than 6 months or at its first use, inflate it by attaching the foot pump to each of the valves, one at a time, and when pumping, ensure that a balance of pressure between the chambers is maintained until the boat has been fully inflated to their required working pressures. This allows the boat to take it's shape and allows for easier assembly. At that point, push the yellow button ¼ turn, clockwise, to allow some deflation in condition as photo **[b in 1-3]** . Allow approximately ½ of the air to escape. Turn valve to closed position to prevent further air loss
- 2.2.5 If the boat has been inflated in last 6 months, attach foot pump to each valve, one at a time, and add air to each chamber to ½ of their capacity.

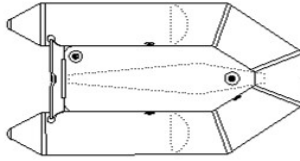
Then continue assembling the boat as followings:

2.3 Assembly for PRU3 and PRU-3 CSM/HYP(Slatted Floor model)



- 2.3.1 Before inflating the of bottom; Install the wooden slats are in the middle
- 2.3.2 Inflate each chamber to the working pressure 3.6 psi
- 2.3.3 The boat can be deflated and rolled up with slates inside the boat, and can be removed for cleaning or replacing

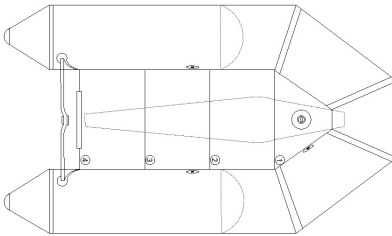
2.4 Assembly for PHP275/310 (Inflatable Floor Models)



2-2

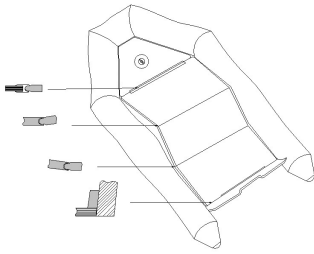
- 2.4.1 Unfold and stretch out the inflatable floor over the bottom and keel of the boat, edging it under the half-inflated tubes and wooden floor guard on the transom. The valve should face upwards. The valve of the keel should also be visible and usable through hole on the front of inflatable floor
- 2.4.2 Inflate the floor up to $\frac{3}{4}$ of its working pressure
- 2.4.3 Install the wooden seat.
- 2.4.4 Finish inflating tube to its working pressure 3.6 psi
- 2.4.5 Finish inflating the floor to 8.7 psi.
- 2.4.6 Fully inflate the keel 5.1 psi.
- 2.4.7 Put oars onto the lock pins.
- 2.4.8 Check the working pressure on every valve with a pressure gauge and close valve caps.

2.5 Assembly for PSB275/310 (Aluminium Floor models)

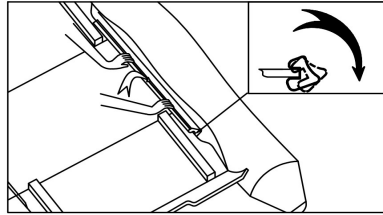


2-3

- NOTE :**
- a. **Identifying numbers on floor boards must face upwards.**
 - b. **Valve of keel should be visible and usable through hole on floor No.ϕ.**

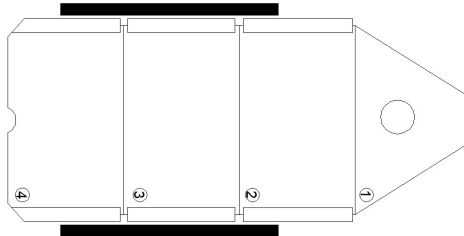


Assembly for wooden floors
2-4



Assembly for stringers
2-5

- 2.5.1** Insert floor board no. 1 onto bow of boat.
- 2.5.2** Insert floor board no. 4 under floor guard 5 on transom 6 of boat.
- 2.5.3** Insert floor board no. 2 into floor board No. 1.
- 2.5.4** Insert floor board no. 3 into floor boards No. 2 and 4, press down until flat.
- 2.5.5** Inflate the air chambers up to $\frac{3}{4}$ of their capacity.
- 2.5.6** Slide an oar between ground and bottom of the boat to rise up slightly the sides of the floor boards. Attach side stringer. Repeat the procedure on opposite side of the boat.



2-6

- 2.5.7** Install the wooden seat.

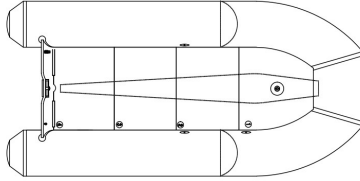
2.5.8 Finish inflating the air chambers on tube to psi, one after the other in order to maintain equal amount of air. DO NOT inflate any chamber to full capacity at one time.

Inflate the keel to pressure 5.1psi.

2.5.9 Put oars onto the lock pin.

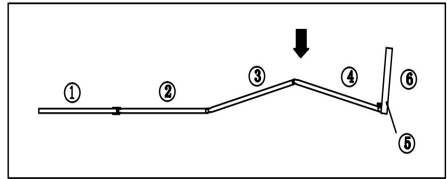
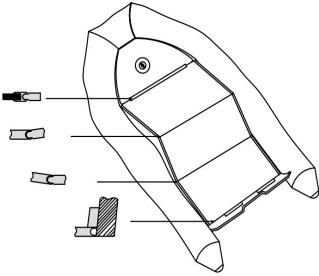
2.5.10 Check the working pressure on every valve with a pressure gauge and close valve caps.

2.6 Assembly for AL290/320HYP,HD-400AL (Aluminium Floor models)

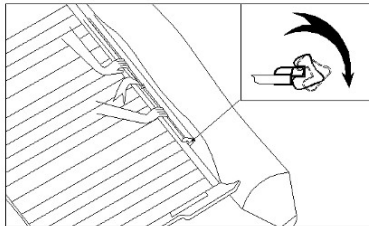


2-7

NOTE : a. *Identifying numbers on floor boards must face upwards.*
b. *Valve of keel should be visual and usable through hole on floor No.ϕ.*



Assembly for AL floors



Assembly for stringers

2-8

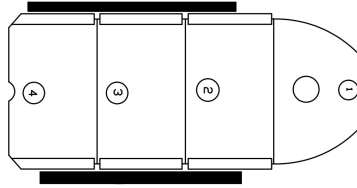
2.6.1 Insert floor board no.ϕ onto bow of boat.

2.6.2 Insert floor board no.ϕ under floor guard ϕ on transom ϕ of boat.

2.6.3 Insert floor board no.ϕ into floor board No.ϕ.

2.6.4 Insert floor board no.ϕ into floor boards No.ϕ and ϕ, press down until flat.

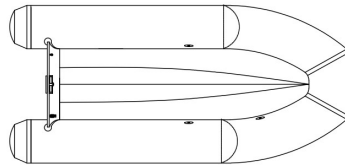
- 2.6.5** Inflate the air chambers up to $\frac{3}{4}$ of their capacity.
- 2.6.6** Slide an oar between ground and bottom of the boat to rise up slightly the sides of the floor boards. Attach side stringer. Repeat the procedure on opposite side of the boat.



2-9

- 2.6.7** Install the wooden seat.
- 2.6.8** Finish inflating the air chambers on tube to psi, one after the other in order to maintain equal amount of air. DO NOT inflate any chamber to full capacity at one time.
Inflate the keel to pressure 5.1 psi for PVC boat, 3.6 psi for Hypalon boat.
- 2.6.9** Put oars onto the lock pin.
- 2.6.10** Check the working pressure on every valve with a pressure gauge and close valve caps.

2.7 Assembly for RIB260,RIB310/350,RIB310/350HYP,Compact310, RIB310doublefloor, FR310, RIB 270/310AL, RIB SEAVUE, Tropic proof 330RIB.



2-10

- 2.7.1** Install the GRP seat.
- 2.7.2** Finish inflating the air chambers on tube to pressure 3.60 psi for Pvc boat, 2.9 psi for Hypalon boat.
- 2.7.3** Put oars onto the lock pin. Make this the last point
- 2.7.4** Check the working pressure on every valve with a pressure gauge and close valve caps.
- 2.7.5** For FR310, please put on the AL joint in the middle of the bottom before inflating.

2.8 Assembly for SB275/310 accordion floor

NOTE : a. *Identifying sticker on floor boards must face upwards.*
b. *Valve of keel should be visual and usable through hole on floor.*

floor.

- 2.8.1 Install the wooden floor
- 2.8.2 Finish inflating the air chambers on tube to psi, one after the other in order to maintain equal amount of air. DO NOT inflate any chamber to full capacity at one time.
Inflate the keel to pressure 5.1psi.
- 2.8.3 Put oars onto the lock pin.
- 2.8.4 Check the working pressure on every valve with a pressure gauge and close valve caps.

2.9 Assembly for SB360/420 inflatable floor

- 2.9.1 Unfold and stretch out the inflatable floor over the bottom of the boat, edging it under the half-inflated tubes and wooden floor guard on the transom. The valve should face upwards.
- 2.9.2 Inflate the floor up to $\frac{3}{4}$ of its working pressure
- 2.9.3 Install the wooden seat.
- 2.9.4 Finish inflating tube to its working pressure 3.6 psi
- 2.9.5 Finish inflating the floor to 2.9 psi. .
- 2.9.6 Put oars onto the lock pins.
- 2.9.7 Check the working pressure on every valve with a pressure gauge and close valve caps.

3. Operation

3.1 Aspects of environment protection

In case of oil and fuel leakage, or in polluted or dirty waters, clean or recuperate

the waste in a manner appropriate to the local environment.

Excessive noise and exhaust emission should be avoided.

Particular care should be used in the disposal of residues, e.g. of paint, paint removing substances or other cleansing agents.

3.2 Safety instructions

BEWARE OF OFFSHORE WINDS AND CURRENTS!

It is the responsibility of the boat's operator to know all laws applicable to boats and to comply with those laws when equipping and operating the boat.

Rules and regulations may vary depending on the following conditions: the location of the boat's operation and the requirements of local authorities; the use of the boat, the particular time of the day during which the boat is being used, the conditions under which the

boat is being operated, and the size, speed, course, kind of boat (power, oars, etc.) and mode of operation.

In addition to knowing and following the applicable laws, please note the following:

- 3.2.1** Each passenger should wear the appropriate clothing and wear an approved personal flotation device
- 3.2.2** Ensure that all basic equipment is on board the boat, including paddles /oars, inflation pump and repair kit. Be aware of the possible necessity of additional safety equipment.
- 3.2.3** A boat should not be operated by an individual under the influence of drugs or alcohol.
- 3.2.4** Weight must be distributed evenly. If your motor-equipped boat is lightly loaded, do not accelerate suddenly. Stability and handling problems can occur if the operator mishandles the craft.
- 3.2.5** The carrying capacity and the engine capacity and maximum weight must not be exceeded.
- 3.2.6** Outboard motors are dangerous and can cause injury and death when improperly operated. Never equip or operate your boat with a motor which is not approved for use with the boat. Never approach at speed a swimmer in the water or allow a swimmer to approach the stern of the boat while the engine is running. Always wear the throttle kill switch supplied with your outboard engine
- 3.2.7** Due attention should be given to winds and tides, which can change and therefore affect fuel consumption.
- 3.2.8** When boating in unknown waters, it is always a wise precaution to obtain local knowledge before setting out.
- 3.2.9** Always tell someone your time and place of departure, your proposed route and the time you expect to return.
- 3.2.10** The display of navigation lights may be required. The user should ensure that the boat should not be operated during darkness or other hazardous weather conditions unless a correct navigational lighting has been fitted and is operating properly.
- 3.2.11** Safety courses on boat handling are available in most countries from national or local organisations. Operators should acquaint themselves with the general rules of the waterways and the local water conditions before taking a boat out.
- 3.2.12** On extended voyages due consideration must be given to safety equipment such as flares, first aid kit, anchors, etc.
- 3.2.13** Wherever possible, wrecks, reefs, rocky coasts, sand banks and shallow water are to be avoided or approached with precaution.

3.3 Loadings and passengers on board

- 3.3.1** Do not exceed the loading capacity and numbers of person indicated in the date plate.
- 3.3.2** Each person in the boat should wear a life jacket personal flotation device

- 3.3.3 Oars or paddles, and a repair kit should be carried on board for emergencies.
- 3.3.4 The Max. Load capacity includes motor weight, passenger weight and other loadings on board.
- 3.3.5 All passengers on board should be seated inside of the boat. Do not seat on the inflatable tube.
- 3.3.6 All passengers on board should hold the life line or other fixed grabs on boat.
- 3.3.7 All loads and passengers on board boat should be distributed evenly for proper boat trim.

3.4 Operation A- rowing (inflatable boat row best by using short, quick strokes,rather than long gliding strokes)

- 3.4.1 Inflatable boats are equipped with oars and oar lock-pins; certain models also come with a rowing-seat as standard. Ensure seat is properly installed.
- 3.4.2 Install oars in lock-pins; attach lock-pin cap screws.
NOTE: DO NOT use oars as levers or other usage: they could break!
- 3.4.3 Local water conditions must be taken into account before operating the boat with oars or a small outboard motor. Boat power may not be strong enough to overcome currents in tidal inlets, small channels or shallows of shoal water regions.

3.5 Operation B- motoring with outboard engine

WARNING!:

DO NOT OVERPOWER AND EXCEED THE MAXIMUM WEIGHT OF THE MOTOR! Overpowering can result in severe handling and/or stability problems with serious consequences.

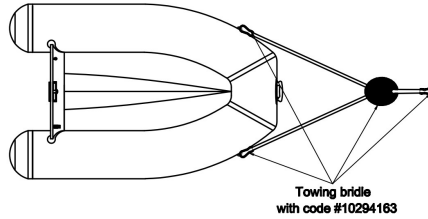
USE A CIRCUIT BREAKER. This switch will stop the engine if, for any reason, the operator pulls the cord. When the boat is being powered, passengers should hold onto the lifeline in order to avoid falling overboard. When operating the motor-powered boat alone, sit down in the boat preferably. Rapid acceleration should be avoided to prevent falling overboard backwards.

- 3.5.1 Regular checks should be made on motor attachment screws. Loose screws will cause erratic boat operation and possibly the loss of your outboard motor!
- 3.5.2 Read the manual carefully before assembling or operating the boat.
- 3.5.3 On board, check that the loads are not chafing or puncturing the boat skin.

3.6 Towing/mooring

- 3.6.1 The inflatable **MUST BE EMPTY** i.e. all loadings and passengers should be out of the boat when it is towed by another boat.

- 3.6.2** The towing line should be secured through the two Large D-rings on each side of the inflatable. RIB models can not be towed by its front eye nut or carry handle. See the following drawing on towing bridle with code Code # 10294163.



- 3.6.3** The inflatable must be under constant supervision when it is being towed.
- 3.6.4** Anchoring and mooring lines should be secured THROUGH the bow handle. [Super D-ring]
- WARNING: Always tow the boat by the side rings.**
Do not tow the boat by bow handle.
During towing the self bailer should be in the open position to allow for water evacuation
DO NOT TOW IN EXCESS OF 10 MPH

3.7 Air chamber failure

Should an air chamber get punctured, shift the weight to the opposite side. Prevent, as much as possible, further air leakage (by hand, or with webbing tape) and immediately proceed to the nearest shore.

3.8 Beaching

- 3.8.1** It is recommended not to use an engine when beaching. Do not drag the boat across rocks, sand, gravel or on a pavement as damage to the boat skin may result.
- 3.8.2** If the boat is to be temporarily left on a beach, part of the boat should be left in the water so that the internal heat caused by exposure to sunlight can escape and so that air pressure in the tubes can decrease.
- 3.8.3** Cover the boat to block direct exposure to sunlight if the boat is to be removed from the water for an extended period of time.
- 3.8.4** Be sure to secure the boat either by a mooring line or anchor

4 Maintenance

4.1 Cleaning

IMPORTANT: DO NOT use a vinyl preserving agent and waxes or cleaners containing alcohol on fabric surfaces. Chemicals in such agents will dry out the fabric.

Recommended Cleaner /Protector West Marine Code # 10179182

- 4.1.1 Clean and rinse and your boat when possible, after each use.
- 4.1.2 For boats with removable floor (AL360/390,AL360/390HYP,AL290HYP SB275/310), deflate each valve half and take out the floor and/or stringers. Inflate the tube and/or floor to clean them separately.
- 4.1.3 For boats with inflatable floor(HP275/310), deflate the floor to enable cleaning edges and corners between tube and floor.
- 4.1.4 At the end of a season, wash it out in soapy water or with washing-up liquid. Rinse, let dry before you disassembly and fold up the boat.

4.2 Disassembly

NOTE: *The boat should be clean and dry before rolling up for storage.*

Remove any sand and debris.

- 4.2.1 Deflate the boat by pressings down fully the yellow button on every valve and turn it clockwise 1/4 round to lock it open.
- 4.2.2 Remove the seat and oars.
- 4.2.3 For model HP275/310, remove the inflatable floor.
For model AL360/390,AL360/390HYP,AL290HYP,SB275/310
 - a). Remove side joiners first.
 - b). Raise one of the middle floor boards. Start with the raised floor and continue to remove bow and transom floor boards.Store floor boards, side joiners, oars and seats into carrying bag.
- 4.2.4 using the foot pump as a suction device, remove excess air from each chamber.
- 4.2.5 With the boat now flat, tuck the tube where the oar locks are into the boat. Roll up the boat from either end and place it in the carrying bag along with the pump.

4.3 Storage

- 4.3.1 After use, the boat and all components should be washed with a mild soap and rinsed with fresh water. Dry all parts before storing in the carrying bag. This will help prevent mould or mildew.
- 4.3.2 Wooden parts should be inspected for damage or deterioration. Surface scratches or abrasions should be covered with a marine grade varnish.
- 4.3.3 To keep the boat looking new, store the boat in a cool and dry place and avoid excessive exposure to direct sunlight.
- 4.3.4 To avoid damaging the boat during storage, do not place heavy objects on it.

5 Repair

5.1 Small tears, cuts and punctures

- 5.1.1 The repair of a small leak or puncture less than ½ inch (12.7 mm) can be done with a round patch, 3 inches (76.2 mm) diameter, minimum.

- 5.1.2** Both patch and surface on the boat must be dry and free of dirt and grease.
- 5.1.3** Apply 3 thin, even coats of adhesive to the surface of the boat and the patch. Wait 5 minutes between each coat. After the 3rd coat, wait 10-15 minutes before placing the patch on the boat skin. Use a smooth object to add pressure to the patch, starting in the center and pushing outward
- 5.1.4** Wait for at least 24 hours before re-inflating the boat.

5.2 Large repairs of fabric, seams and transom etc

For all large repairs it is recommended to return the boat to your dealer. Contact him first, if possible.