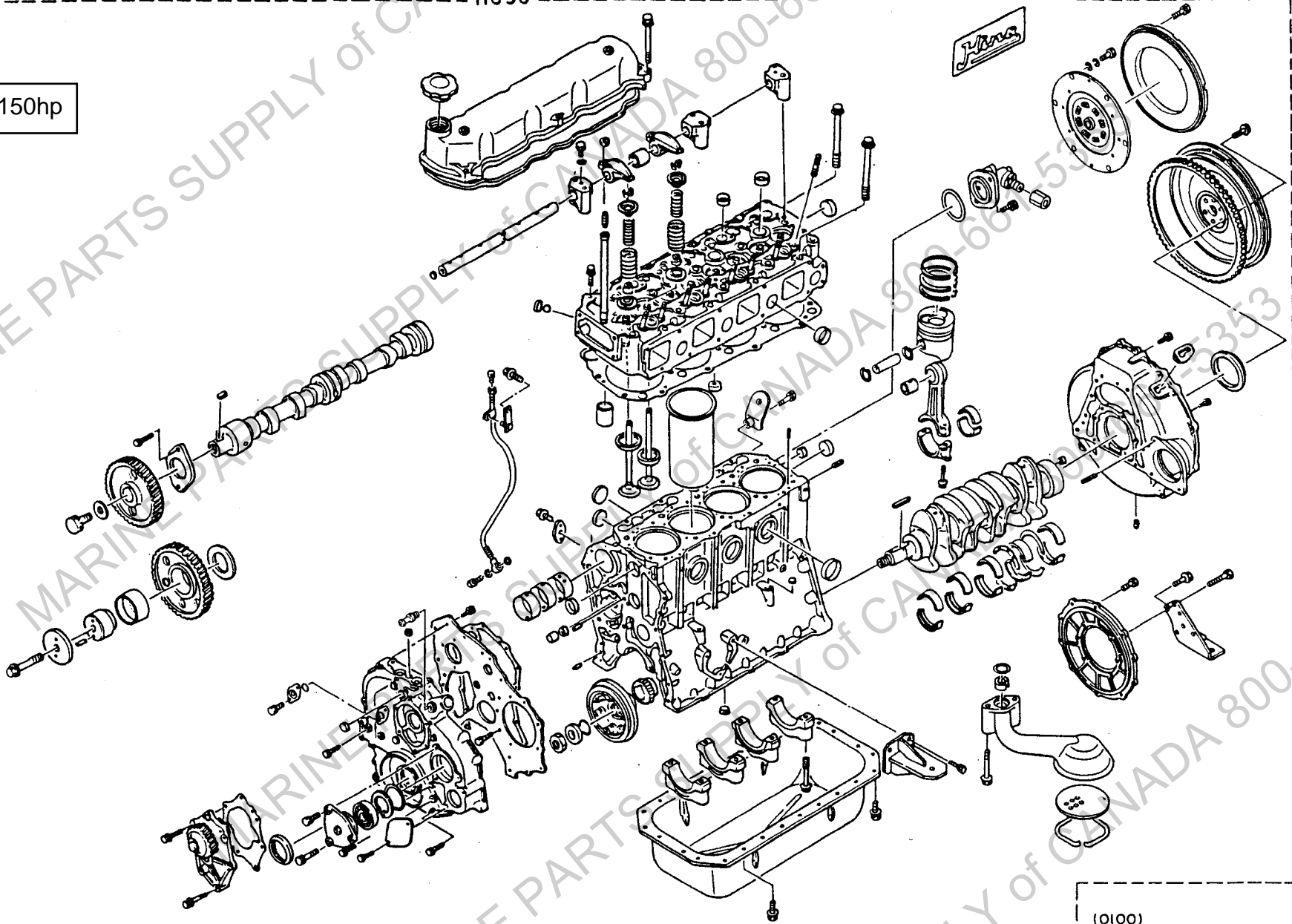


1-B 1

0100 PARTIAL ENGINE
(W04CTA-EAEA, EAEB)

11090

150hp



(0100)
HE11-038-00 X03

0100-B



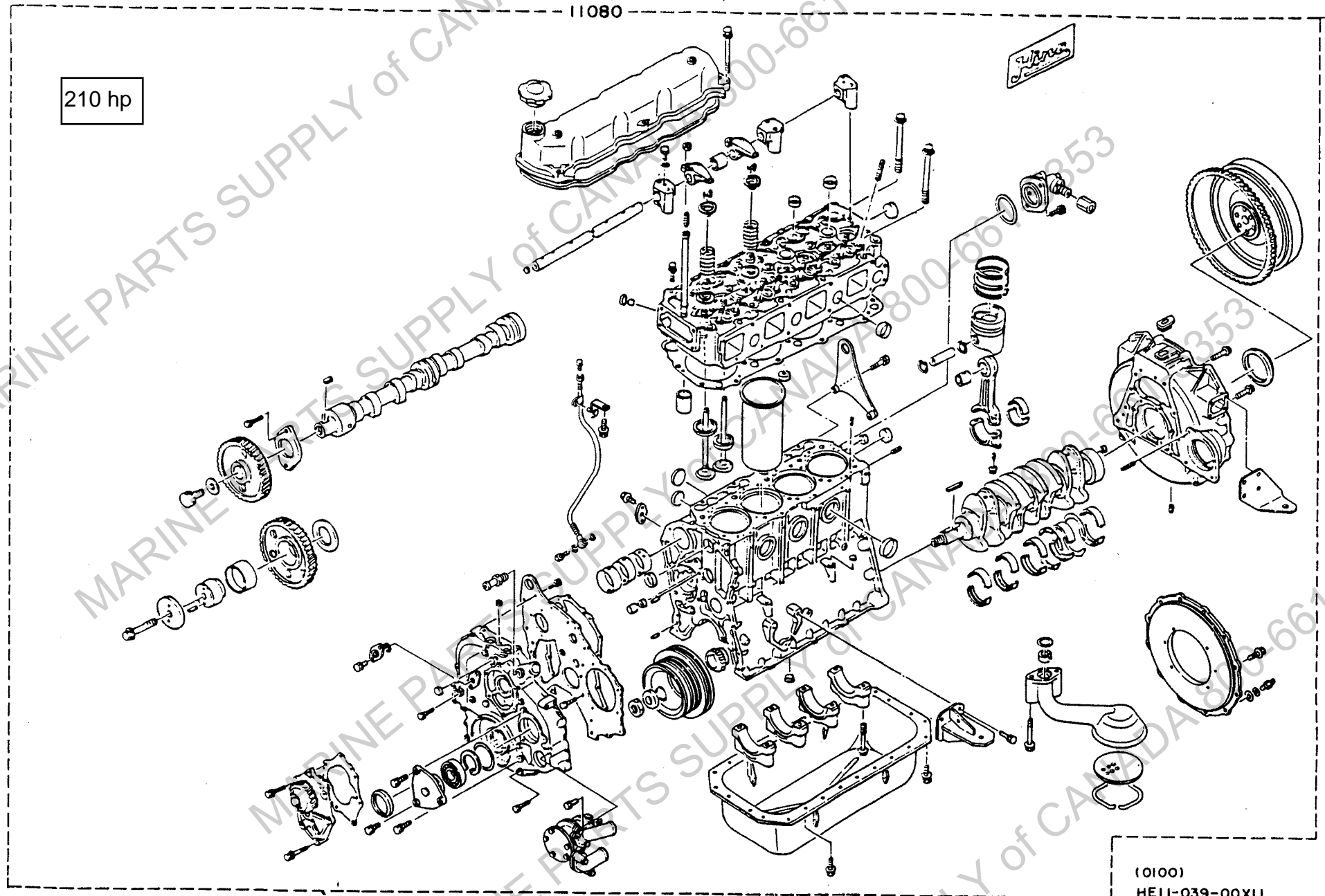
1-C1

0100

PARTIAL ENGINE
(W04CTA-EAEC)

11080

210 hp



(0100)
HE11-039-00X11

0100-C

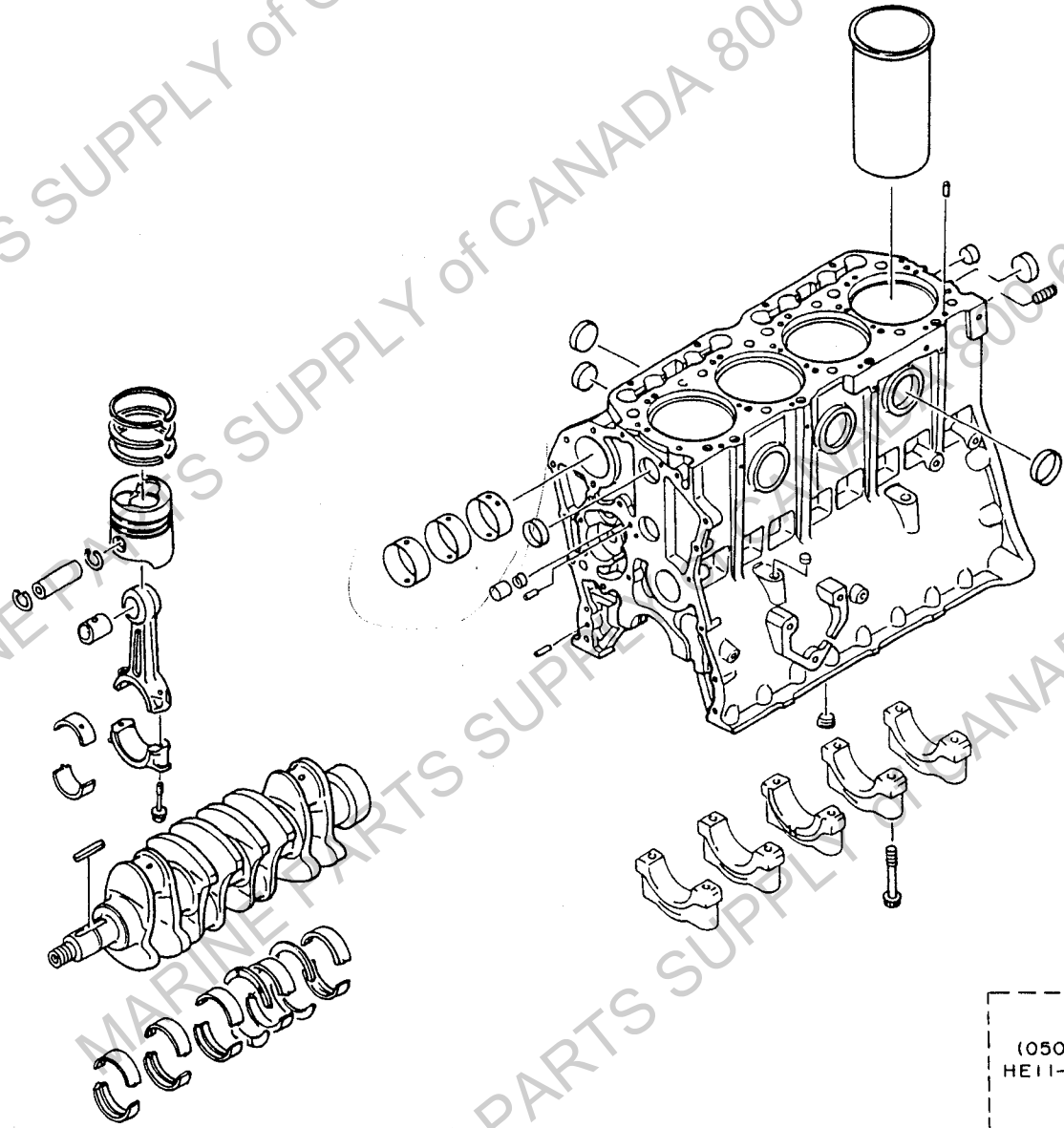


1-J2

0502

SHORT BLOCK

11400



- (0500)
- HE11-038-00X00~21
- 039-00X05,06,08~12
- 040-00X07,20
- 041-00X06

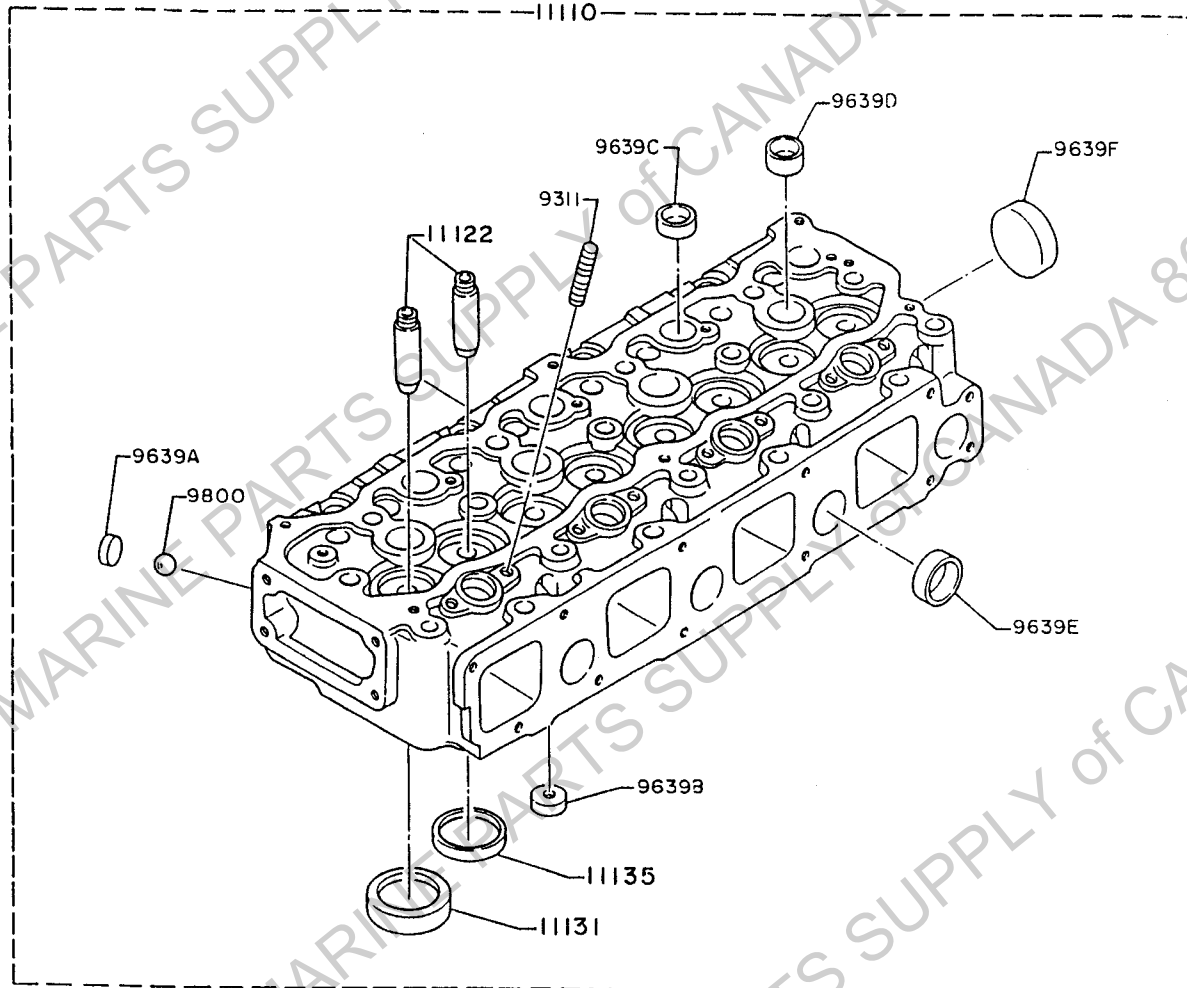
0502-A.



150hp

1-A3

1000 CYLINDER HEAD (1/2)



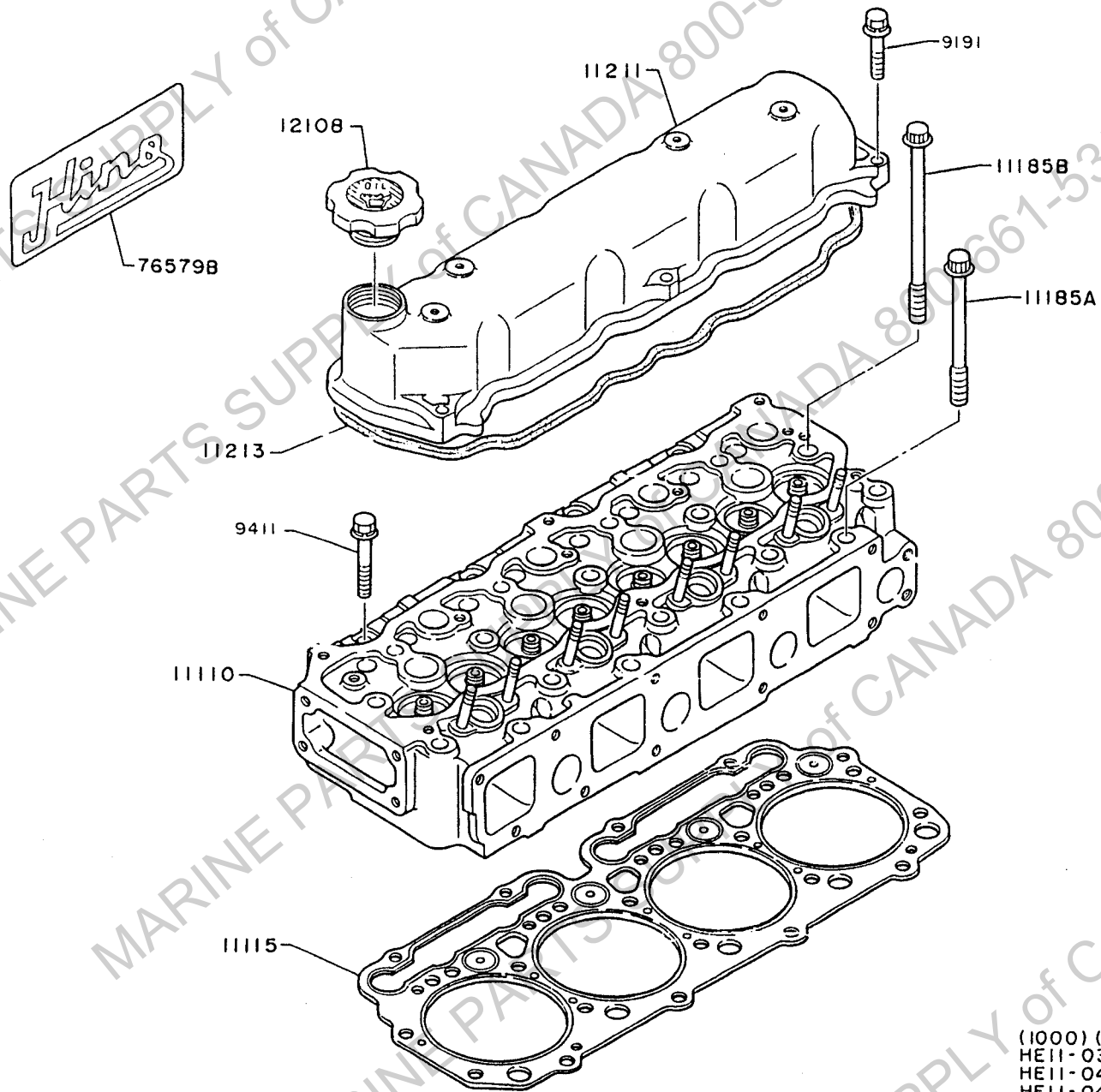
(1000) (1/2). WO-4110
HE11-038-00X03, 07, 14~16, 18
HE11-039-00X05, 06, 08~13
HE11-040-00X07, 20
HE11041-00X06

1000-A
↓

150hp

1-B 3

1000 CYLINDER HEAD (2/2)
(W04CT-EXEG, EXEH, EXEI, W04CTA-EAEA, EAEB, EBEA)

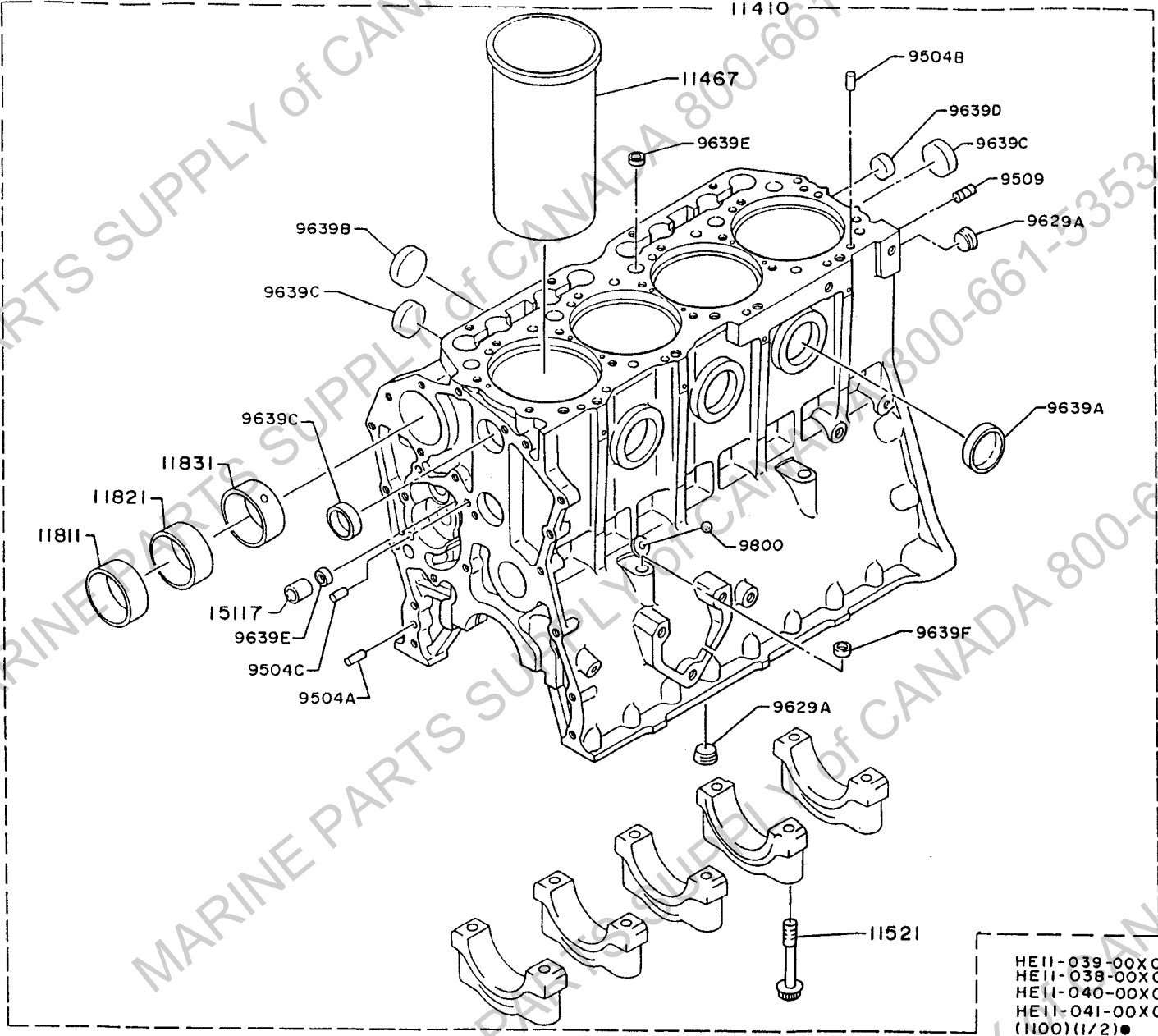


(1000) (2/2) . W0 - 4110
HE11 - 038 - 00 X 03, 07, 14, 15, 16, 18
HE11 - 040 - 00 X 07, 20
HE11 - 041 - 00 X 06

1000-B



1101 CYLINDER BLOCK (1/2)

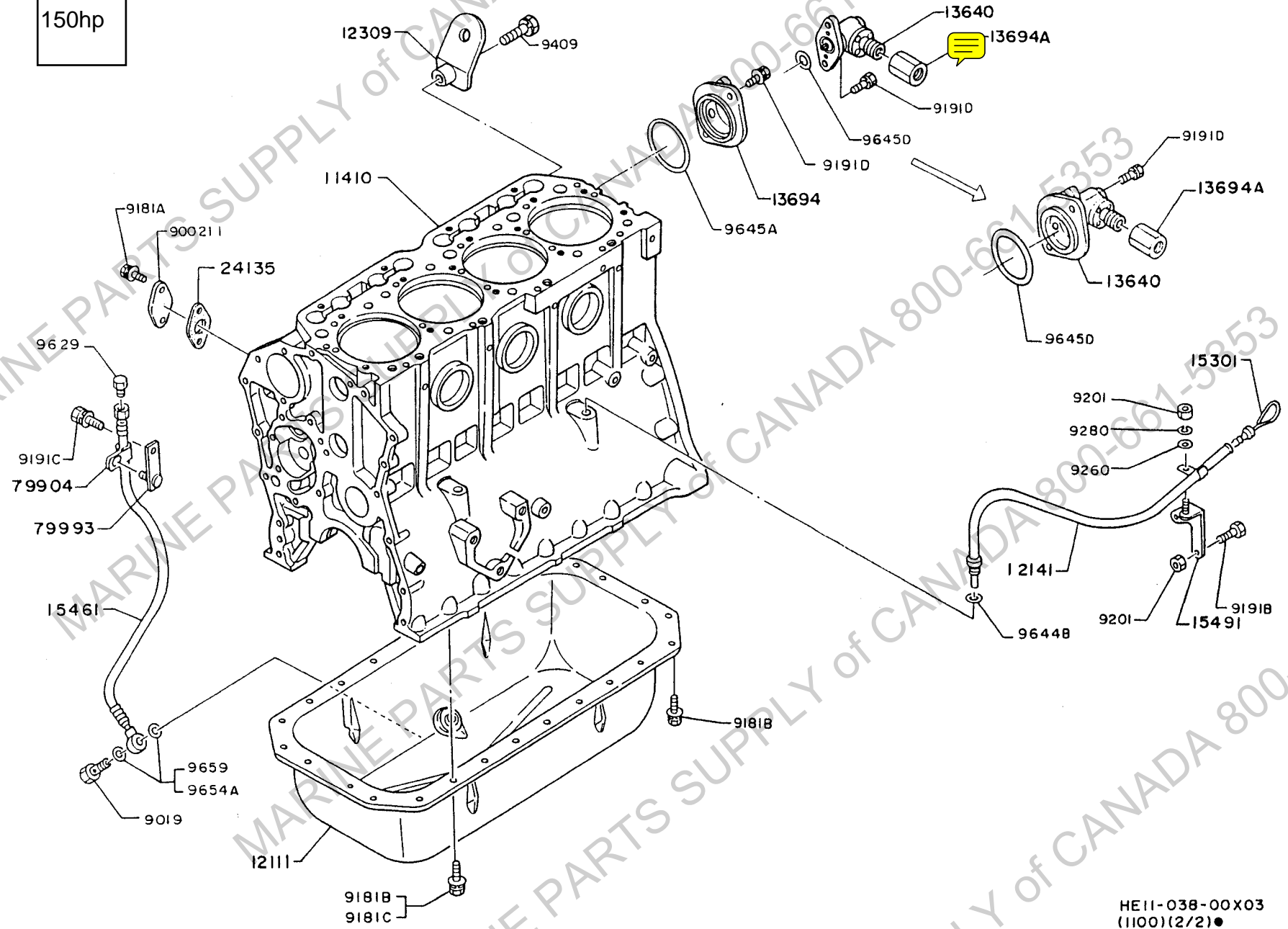


- HE11-039-00X00 ~ 13
- HE11-038-00X00 ~ 18
- HE11-040-00X00 ~ 21
- HE11-041-00X00 ~ 12
- (1100)(1/2)●

1101-A

CYLINDER BLOCK (2/2)
(W04CTA-EAEA,EAEB)

150hp

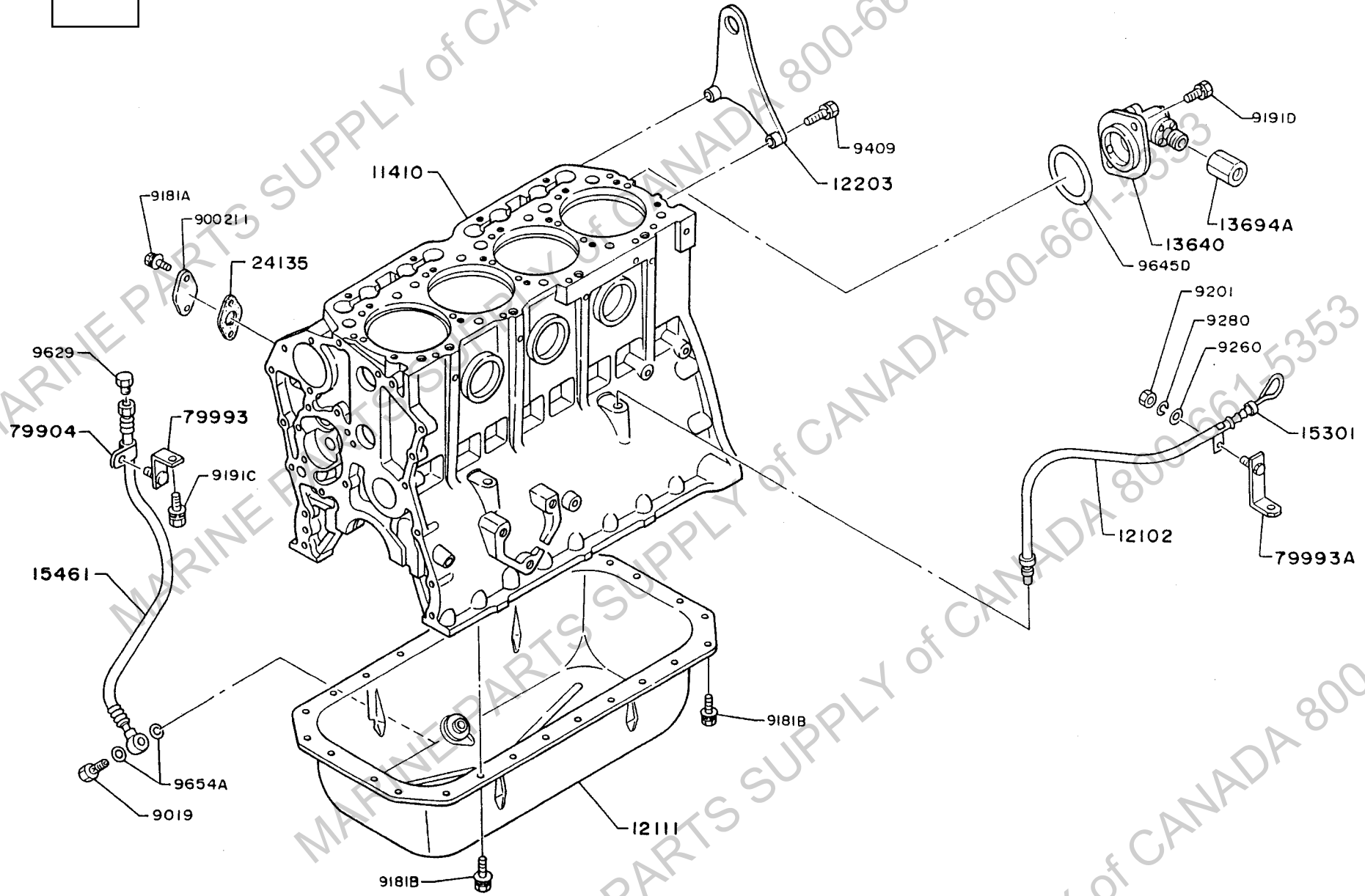


HE11-038-00X03
(1100)(2/2)●

1100-C
↓

210hp

1-D4
1100 CYLINDER BLOCK (2/2)
(W04CTA-EAEC)



1100-D
↓

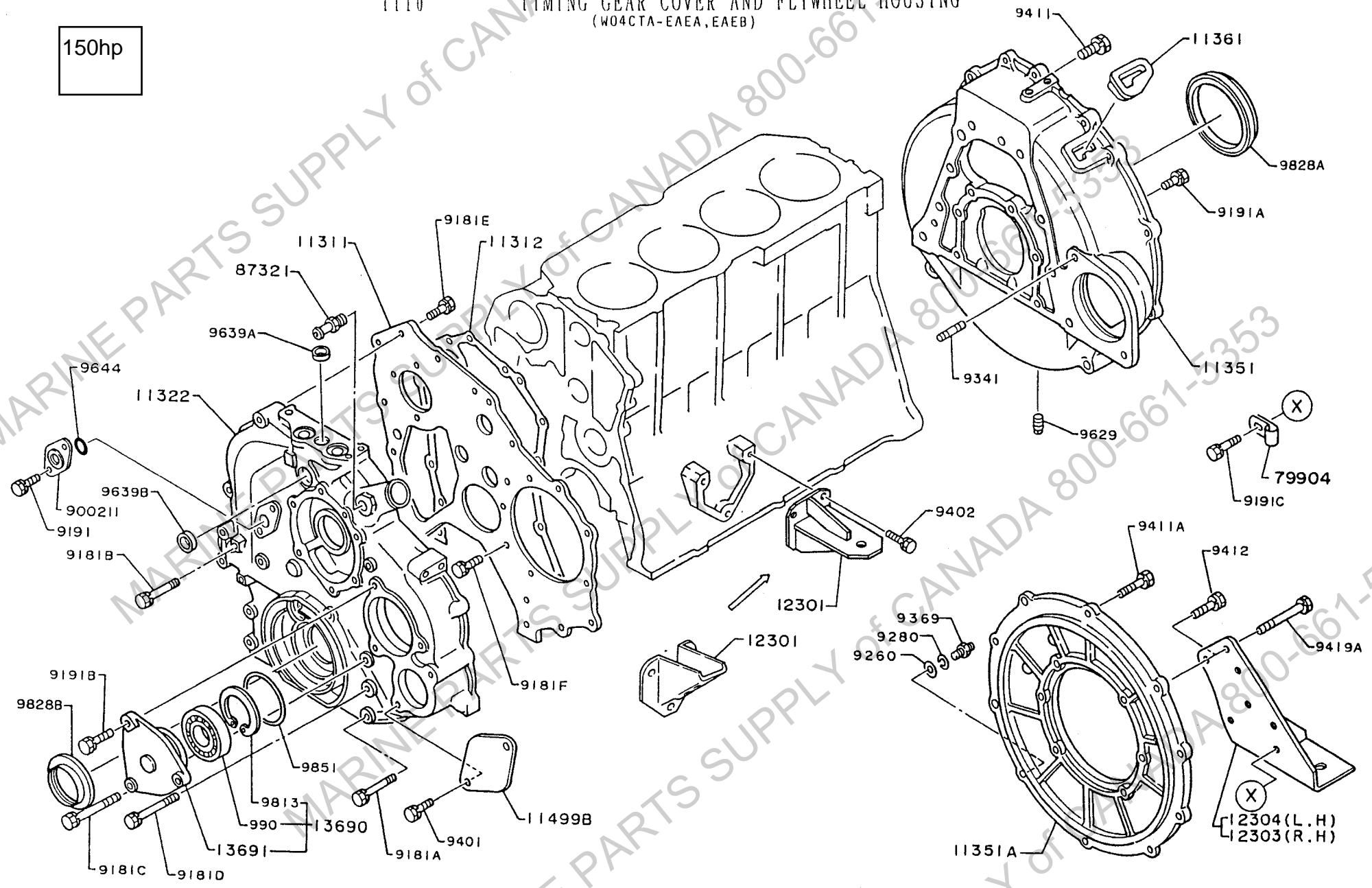
HE11-039-00X11
(1100)(2/2)●

1-B 6

1110

TIMING GEAR COVER AND FLYWHEEL HOUSING
(W04CTA-EAEA,EAEB)

150hp



(X)
79904
9191C

(X)
12304 (L.H)
12303 (R.H)

(1110) ●
HE11-038-00 X03

1110-B

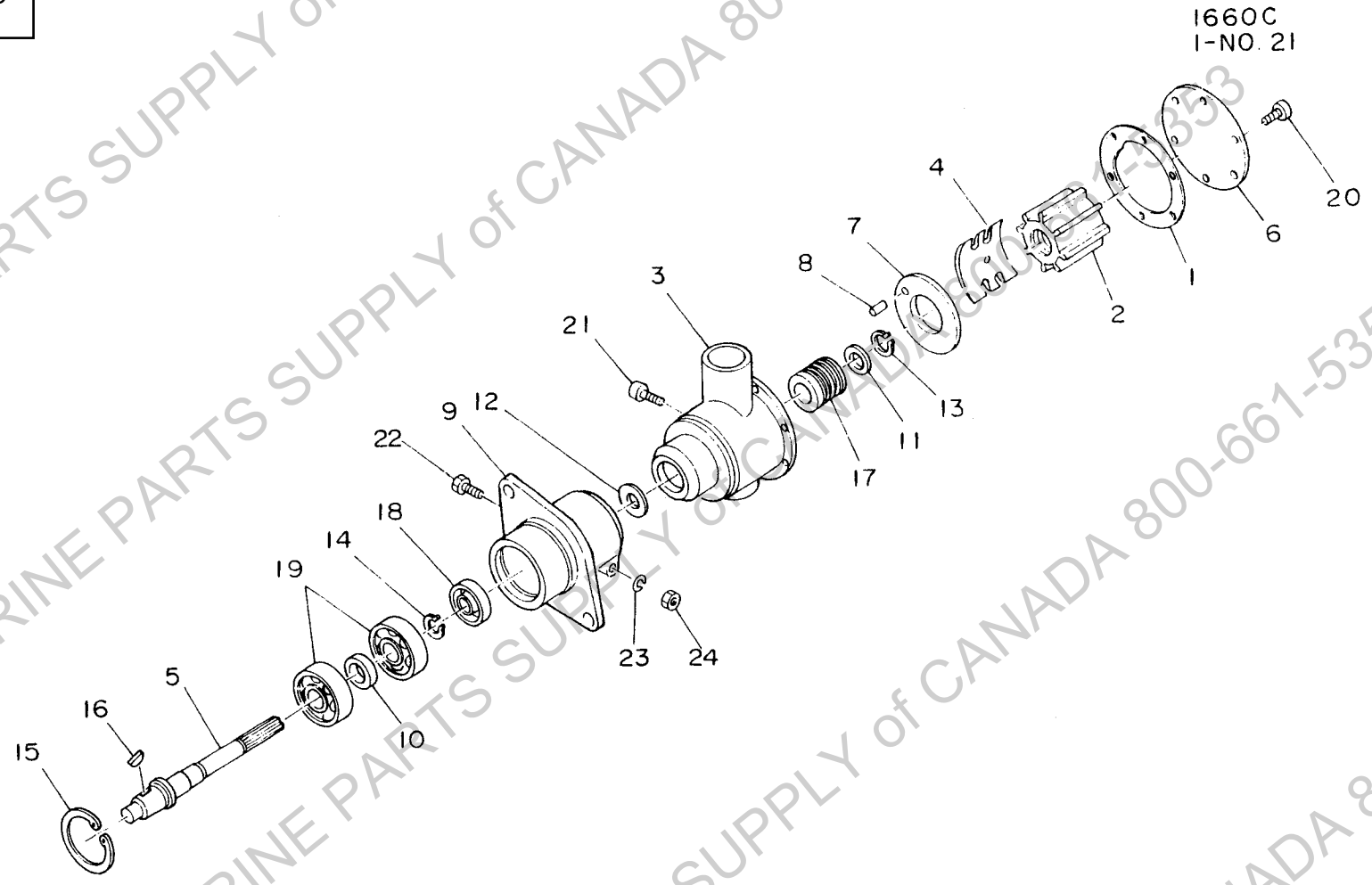


1-A8

1190-1660C PUMP, COOLANT

150hp

1660C
I-NO. 21

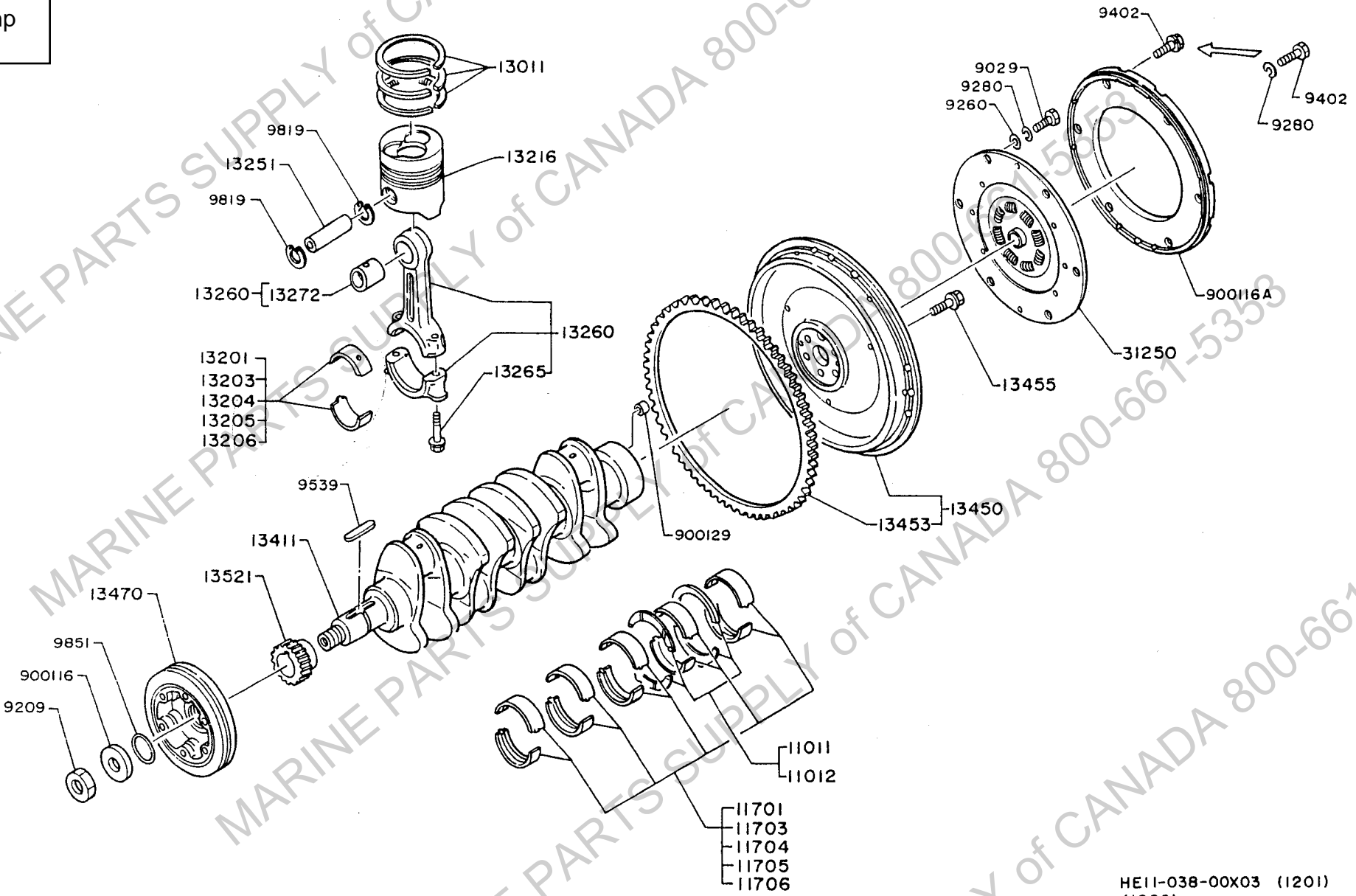


150hp

1-D8

MAIN MOVING PARTS
(W04CTA-EAEA, EAEB)

1200



HE11-038-00X03 (1201)
(1200)

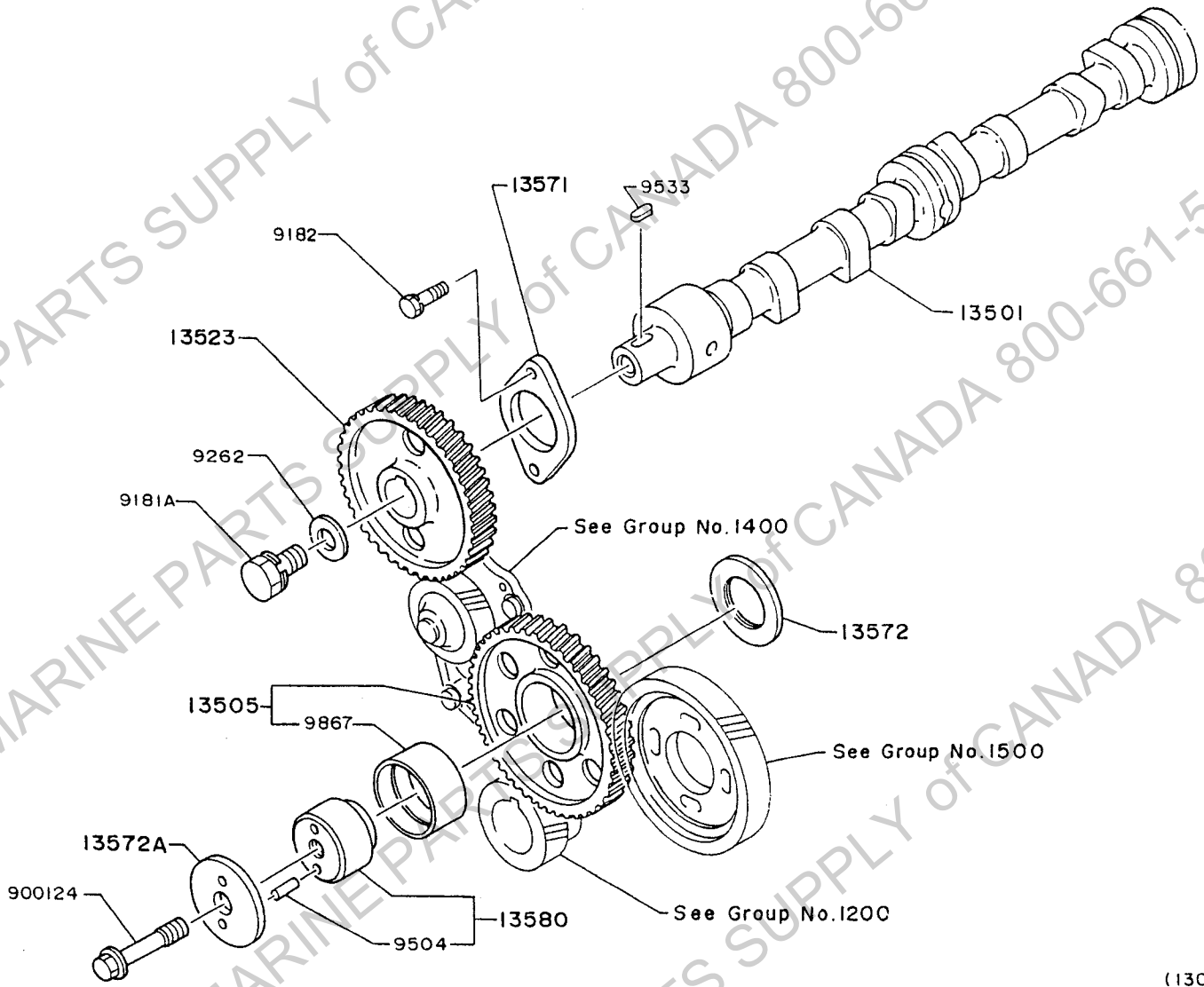
1200-8



1-H9

1300

CAMSHAFT AND IDLER GEAR



- (1300)•
- HE11-038-00X00~21
- HE11-040-00X00~21
- HE11-041-00X00~12
- HE11-039-00X00~13

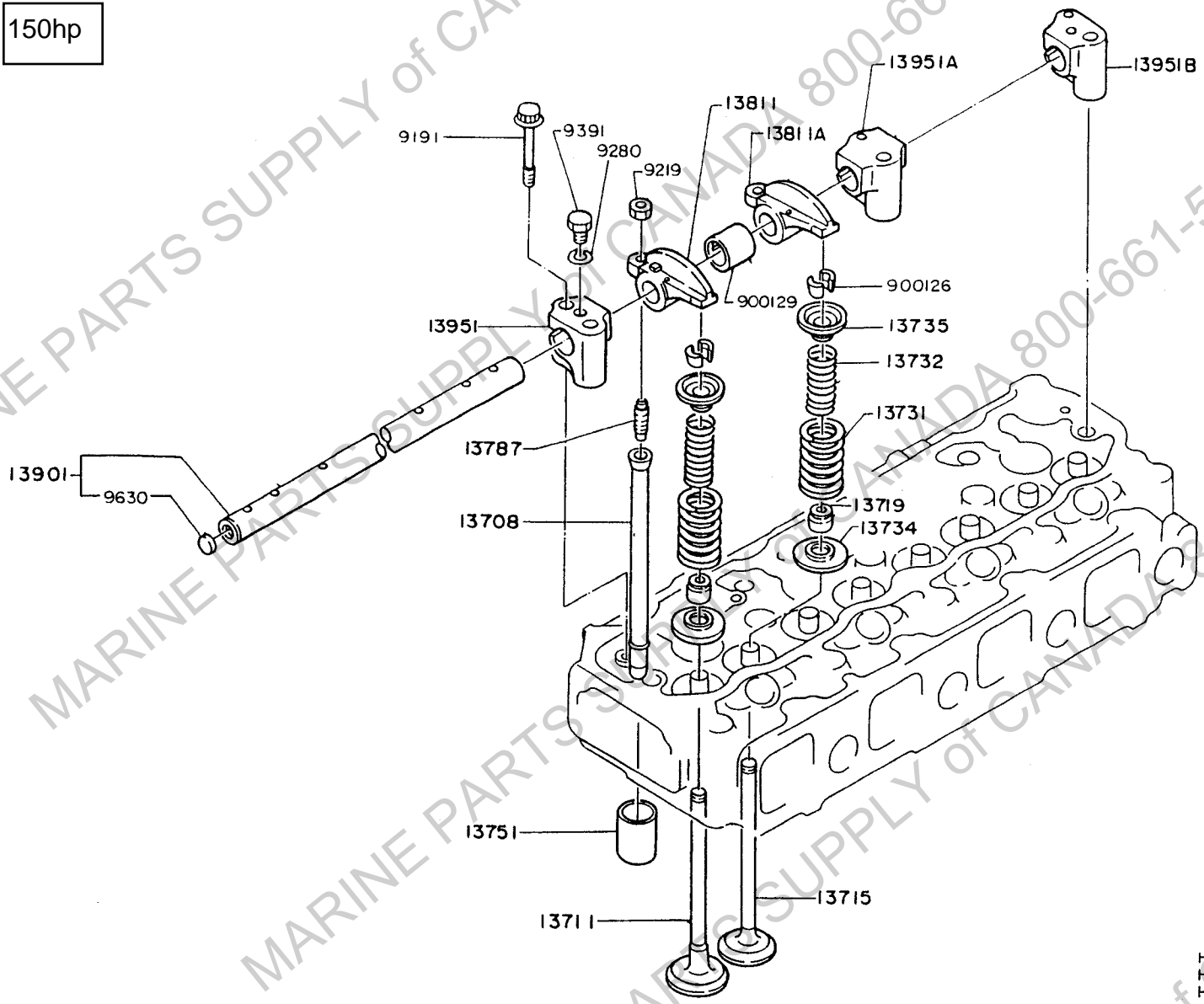
1300-A.



1-A10

1310 VALVE SYSTEM (W04CT-EXEG, EXEH, EXEI, W04CTA-EAEA, EAEB, EBEA)

150hp



(1310)
HE11-038-00X03,07
HE11-040-00X07, 20
HE11-041-00X06

1310-A
↓

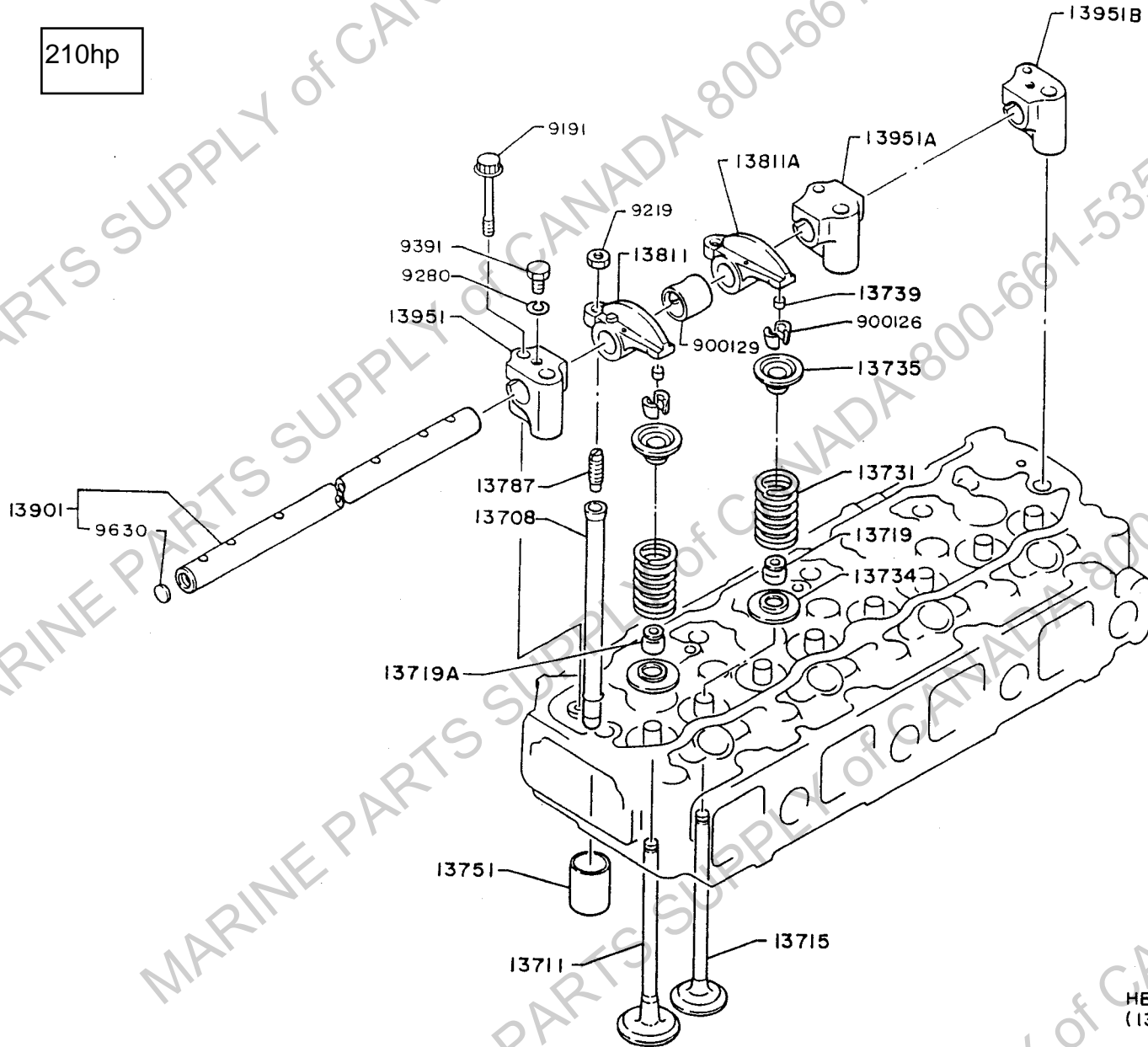
1-B 10

1310

VALVE SYSTEM

(W04CTA-EAEC, EBEB, EFEA)

210hp



HE11-039-00 X00~13
(1310)•

1310-B.

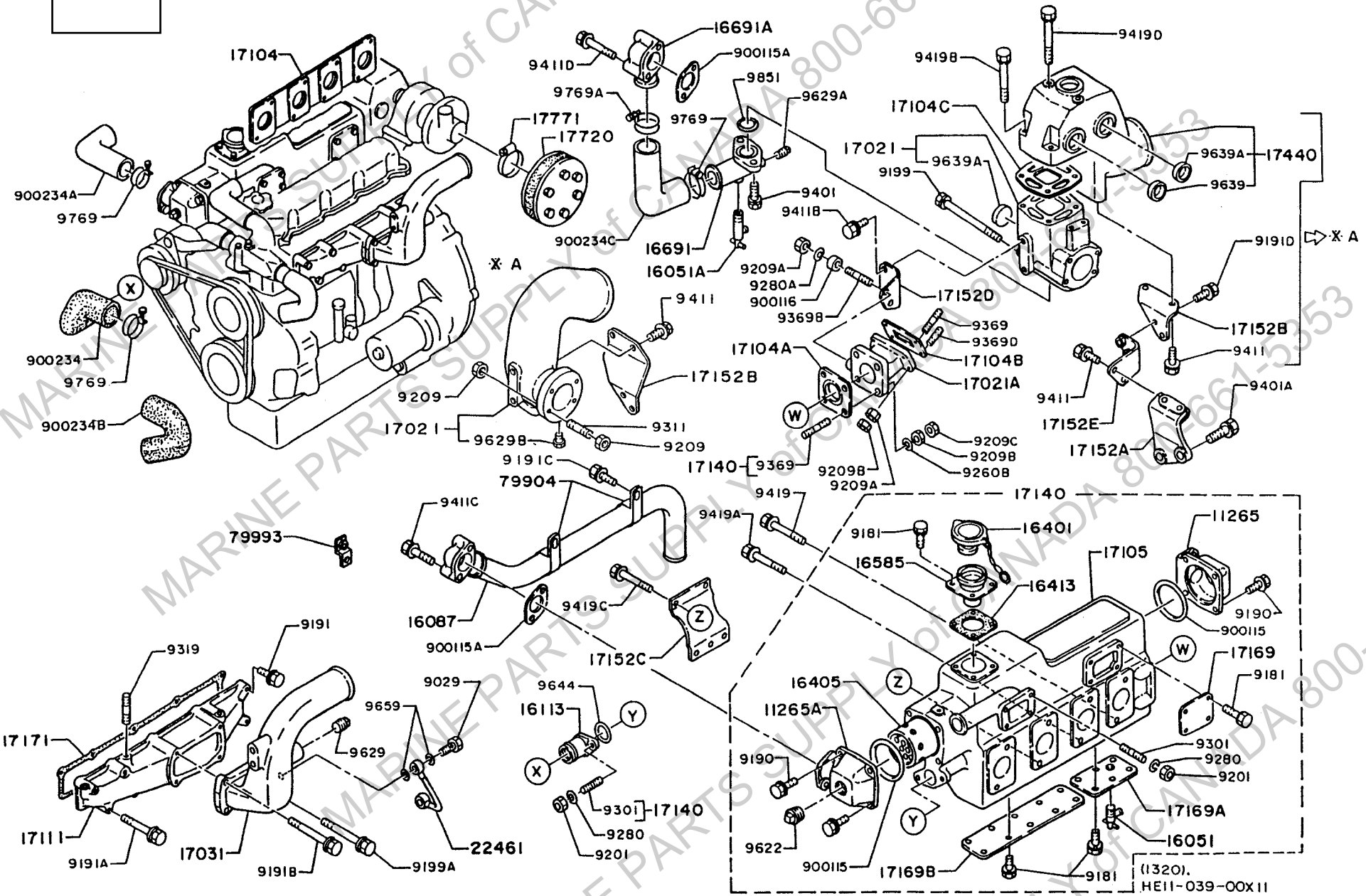


210hp

1320

1-A11

AIR INTAKE AND EXHAUST SYSTEM
(W04CTA-EAEC)



1320-C



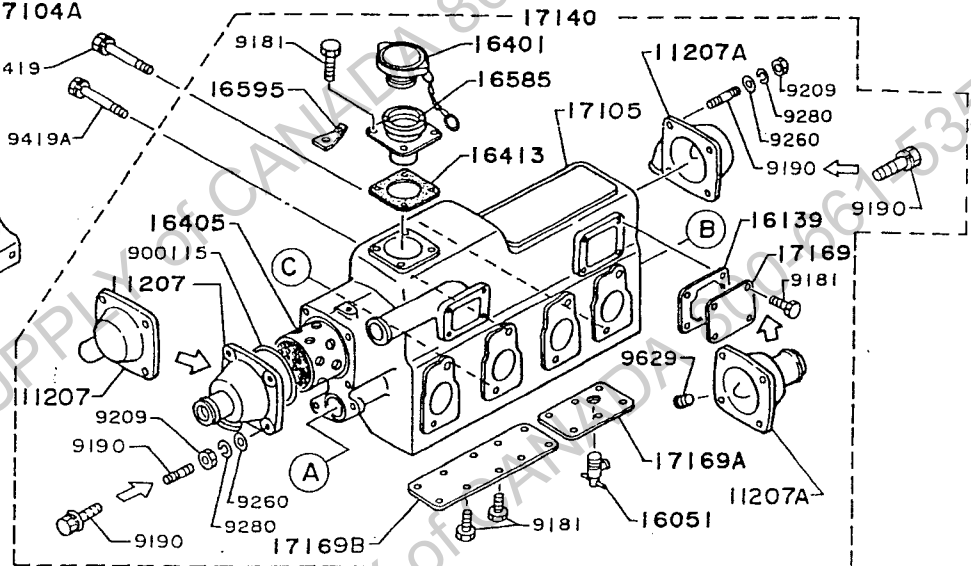
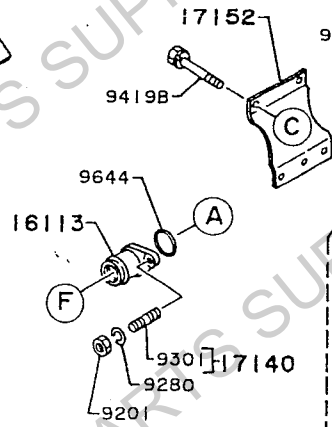
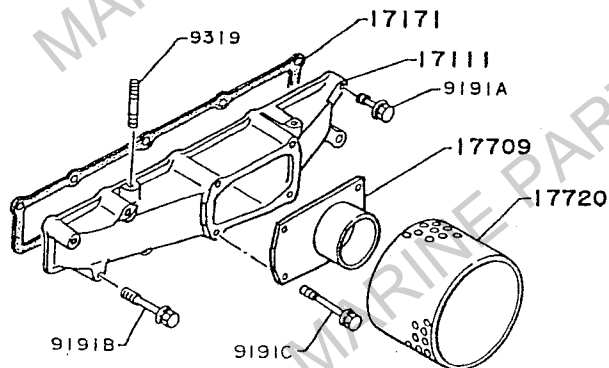
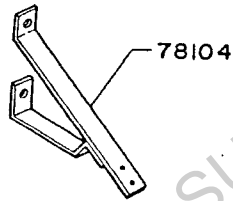
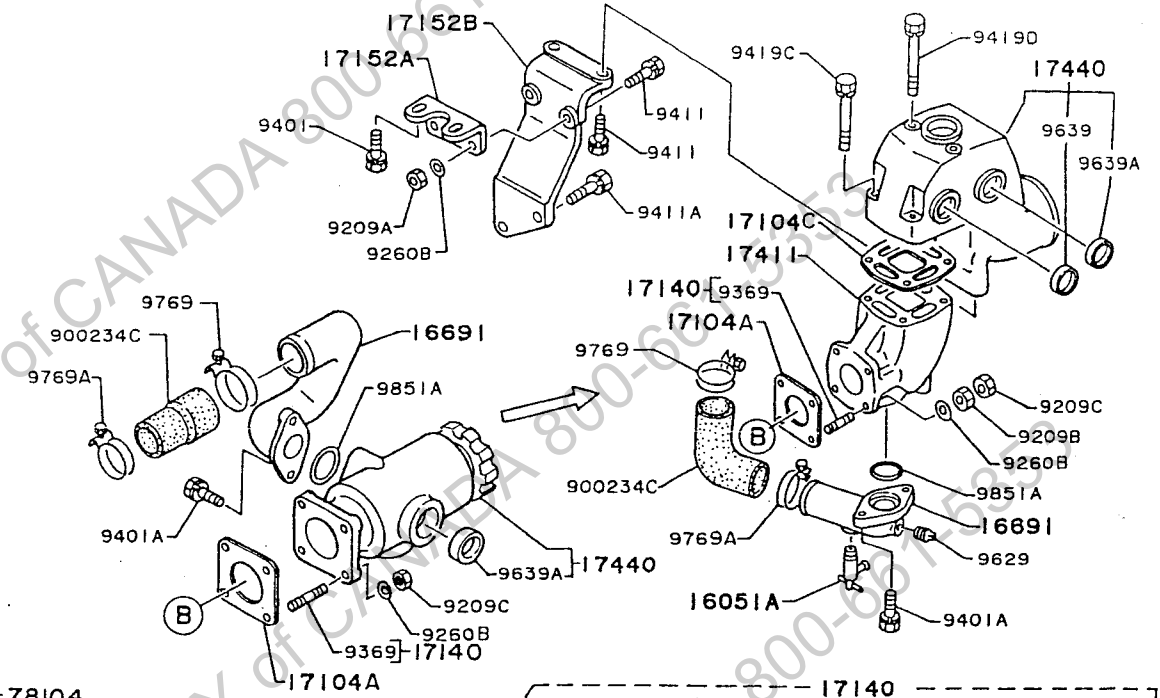
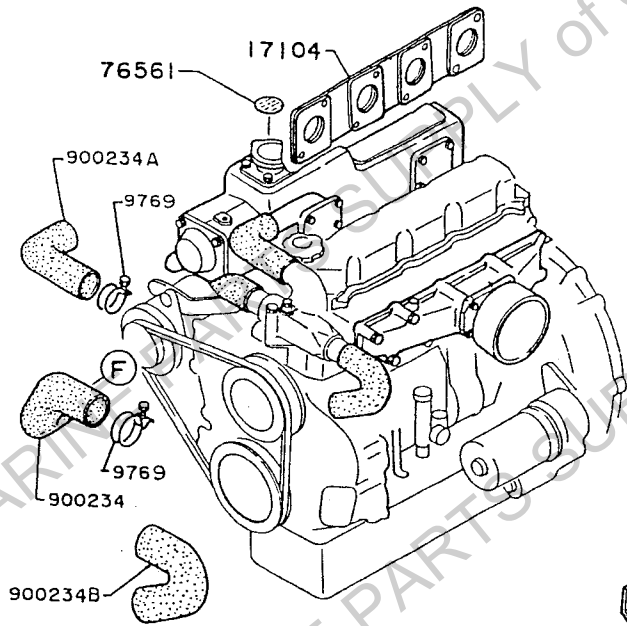
(1320).
HE11-039-00X11

150 hp

1-112

1322

AIR INTAKE AND EXHAUST SYSTEM
(W04DA-EAEB)



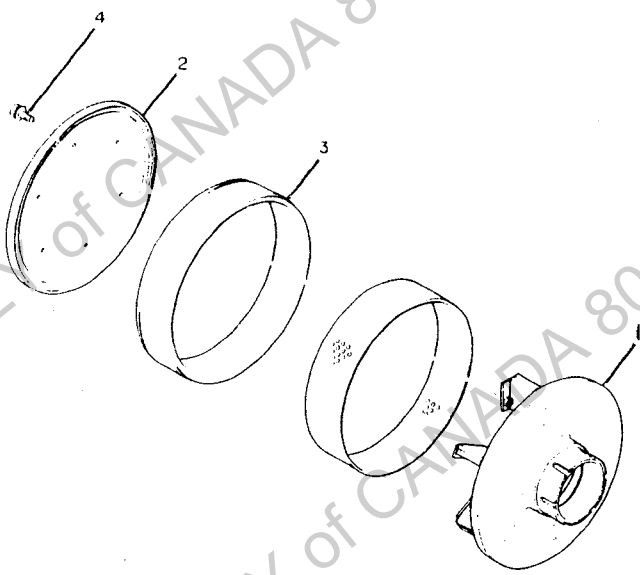
HE11-040-00X07
(1320)

1322-B



1390-2505N CLEANER, AIR

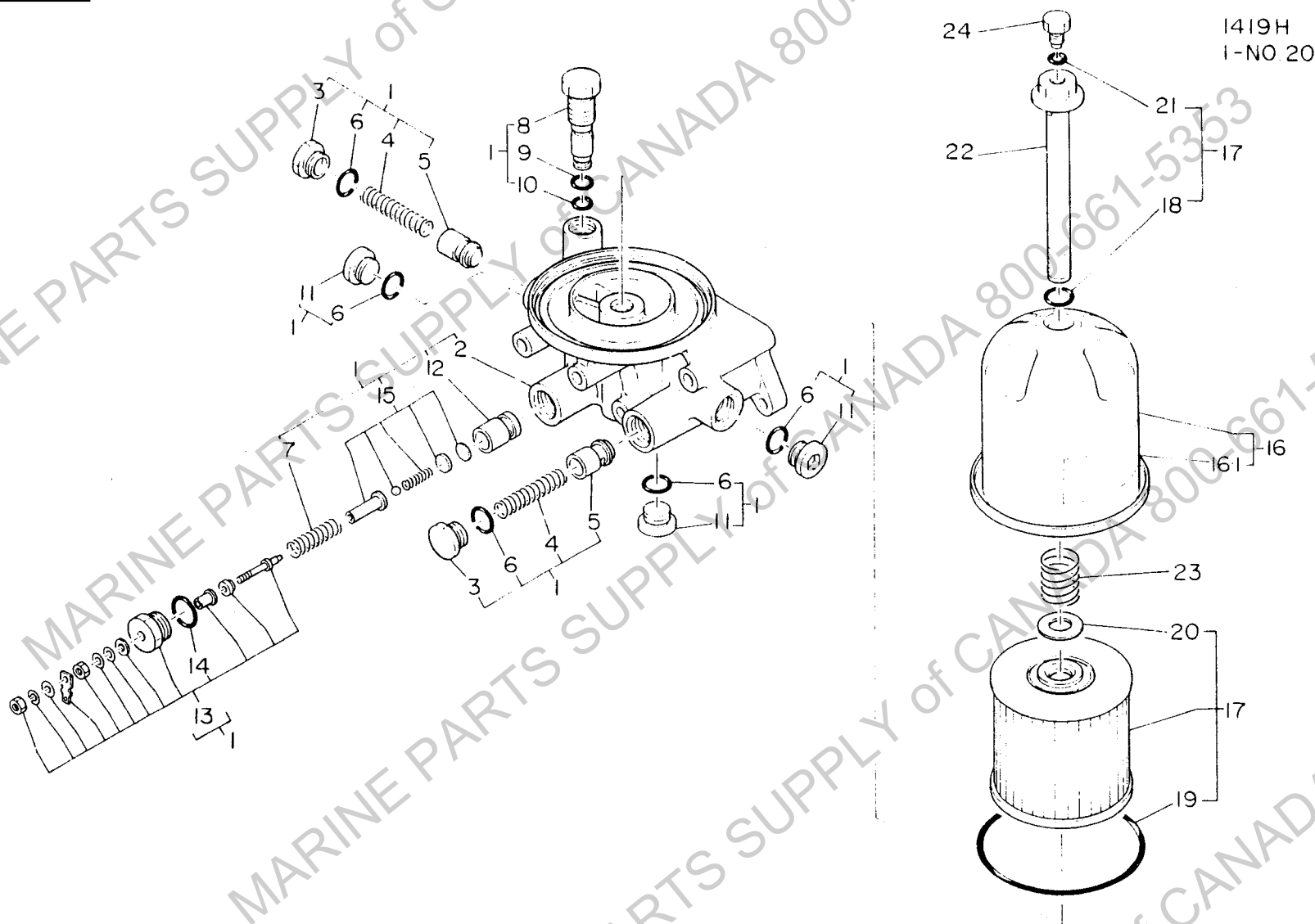
2505N
1-No.20



2-G1

1490-1419H FILTER, OIL

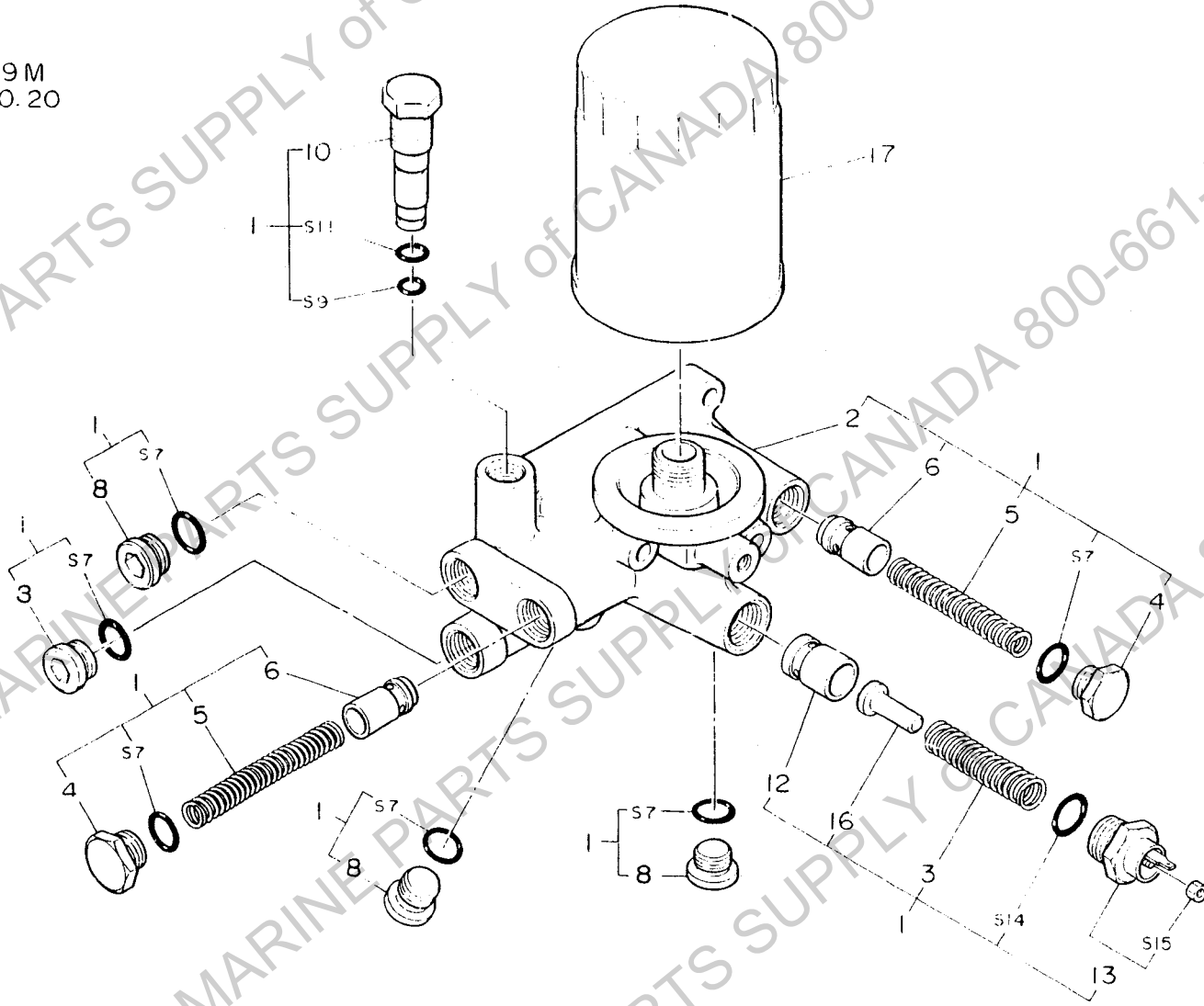
early
150hp



2-i 1

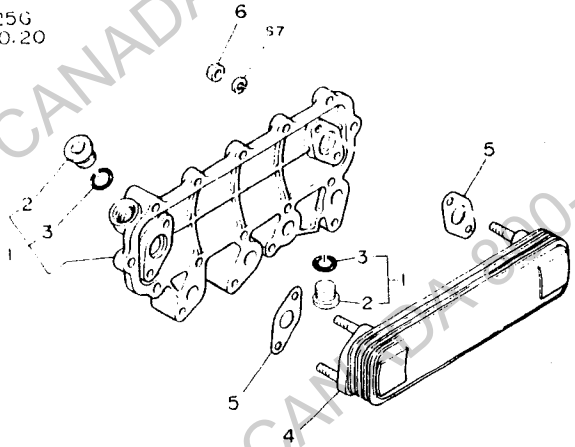
1490-1419M FILTER, OIL

1419M
I-NO. 20



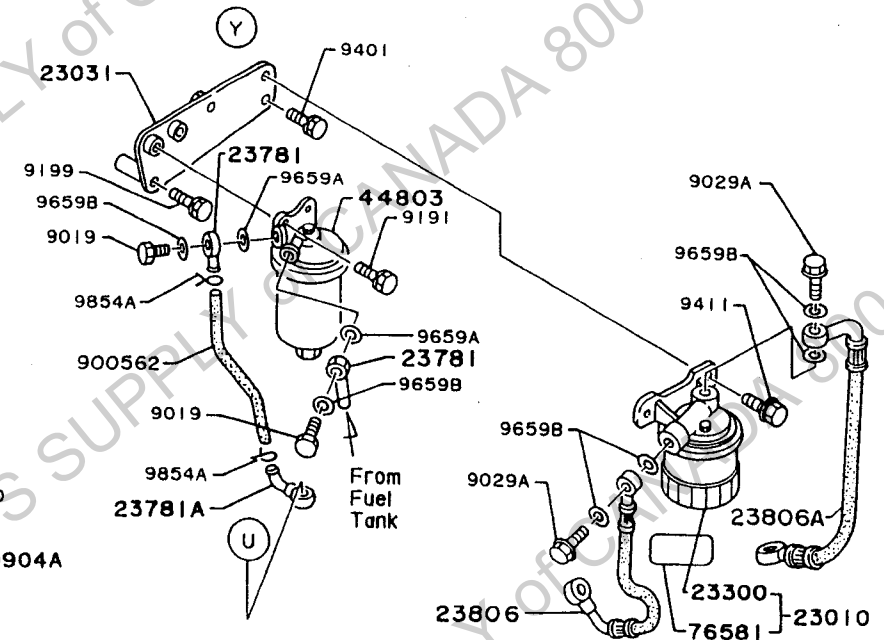
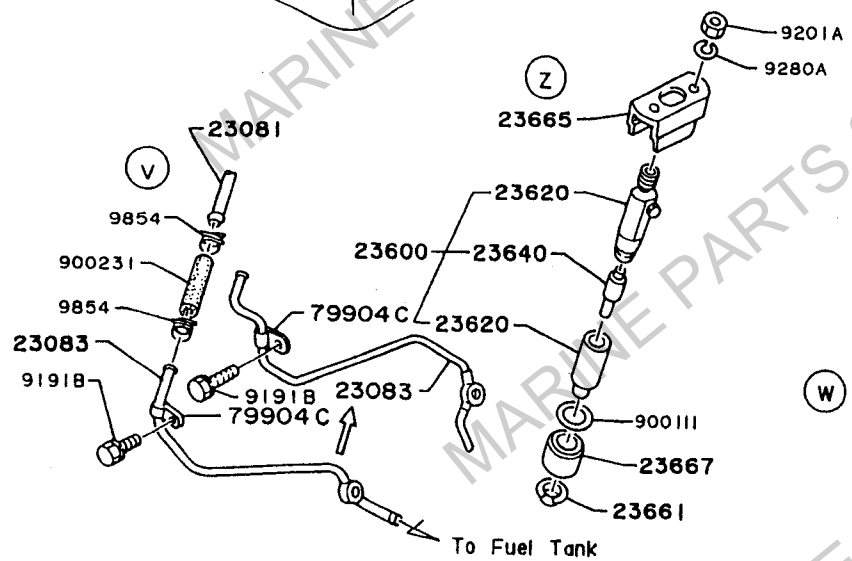
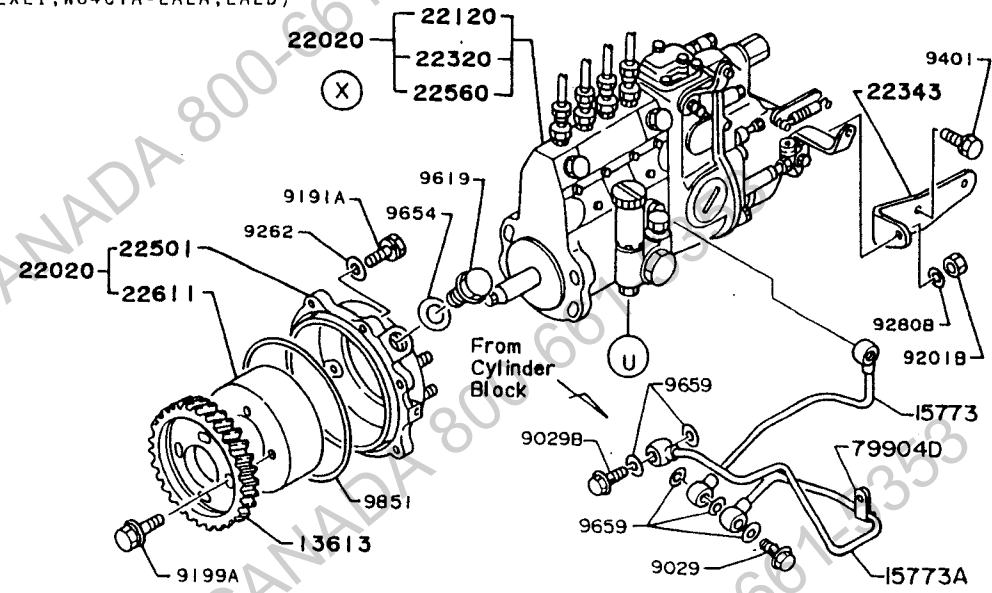
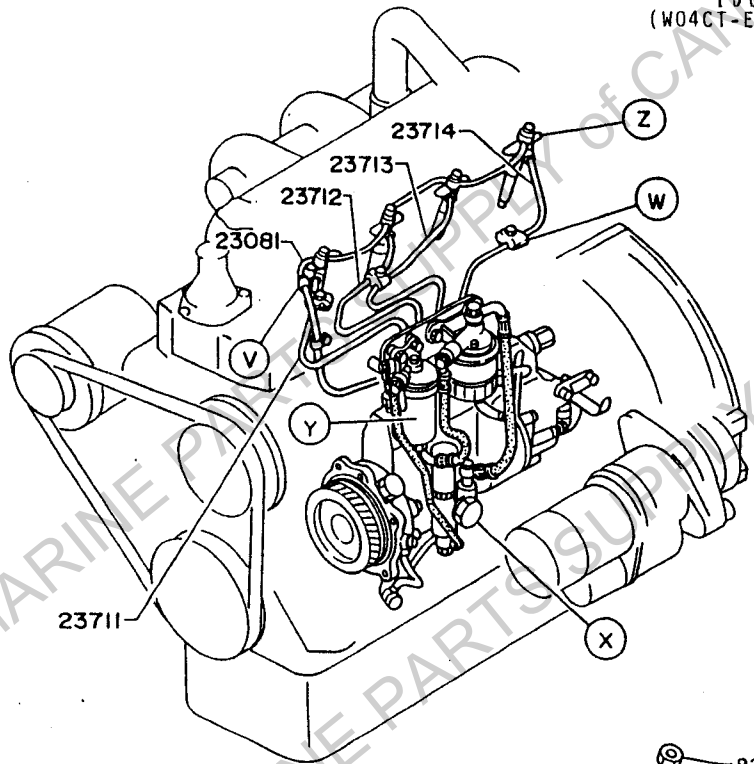
1490-1425G COOLER, OIL

1425G
1- NO.20



2-A2

1500 FUEL SYSTEM
(W04CT-EXEG, EXEH, EXEI, W04CTA-EAEA, EAEB)



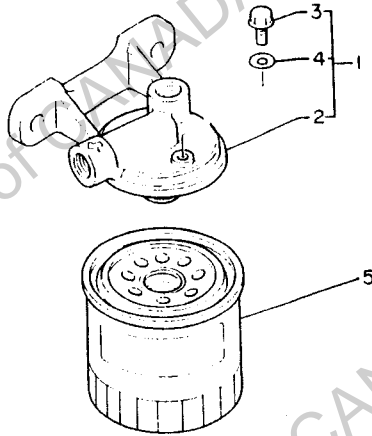
1500-A



(1500) •
HE11-038-00 X03, 14~16, 18

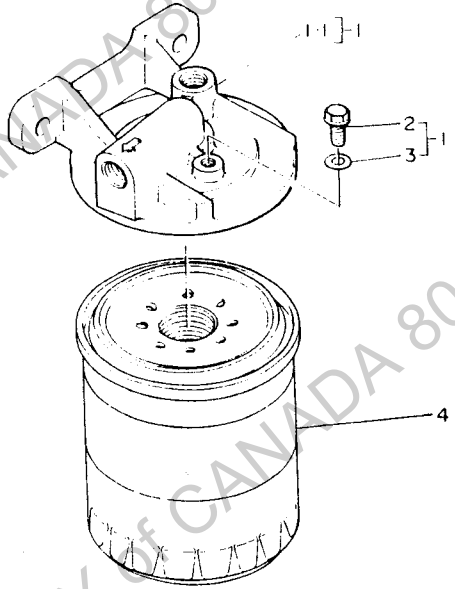
1590-1518U FILTER, FUEL

1518U
1-NO.20



1590-1518X FILTER, FUEL

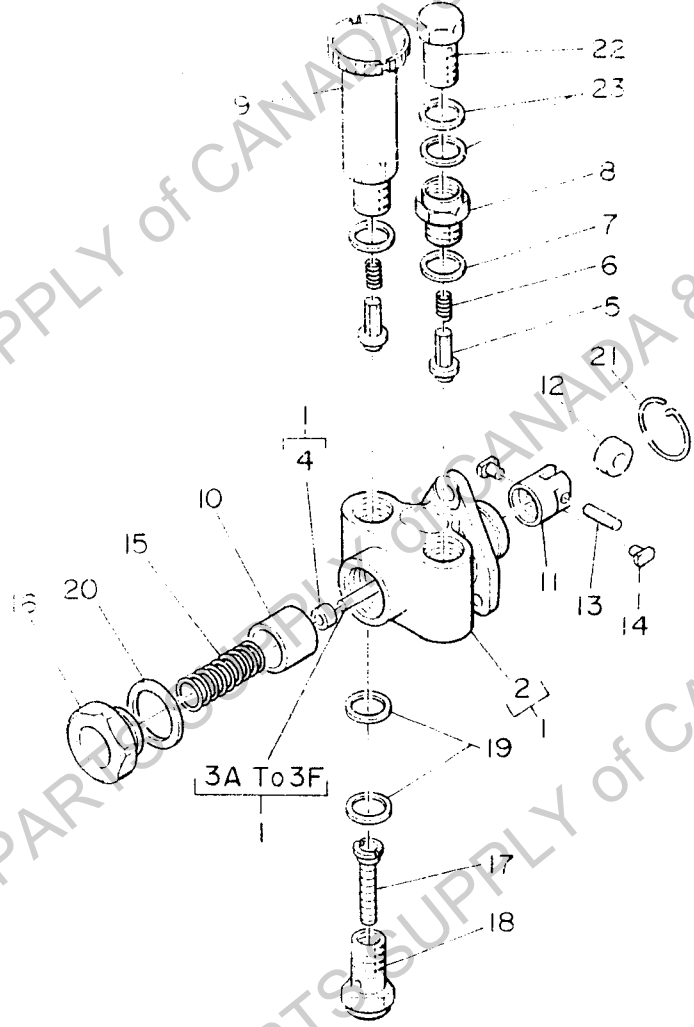
1518X
I-NO. 27



2-L6

1590-1562Q PUMP, FUEL FEED

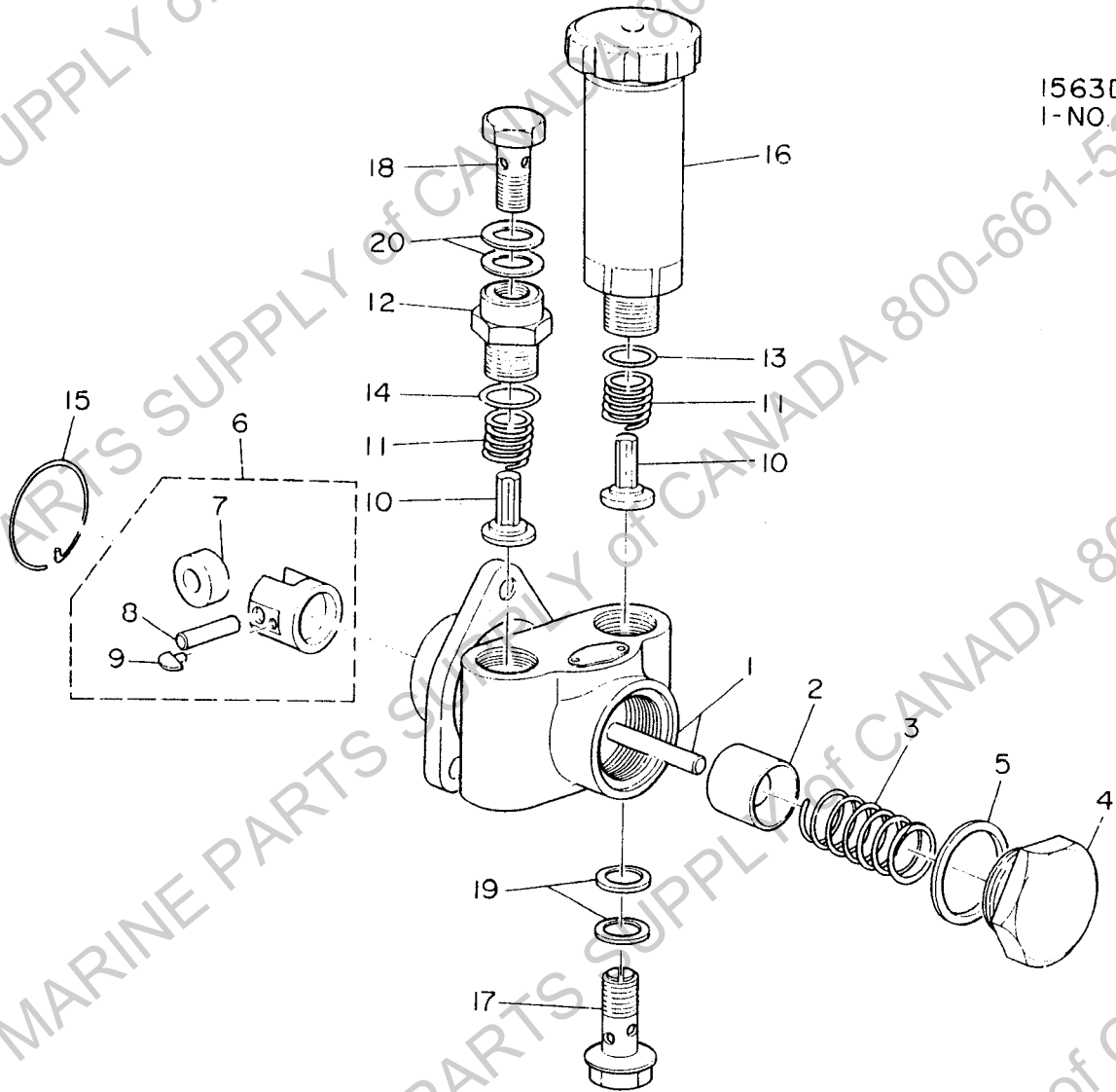
1562Q
I-NO 20



2-B7

1590-1563D PUMP, FUEL FEED

1563D
I-NO. 20

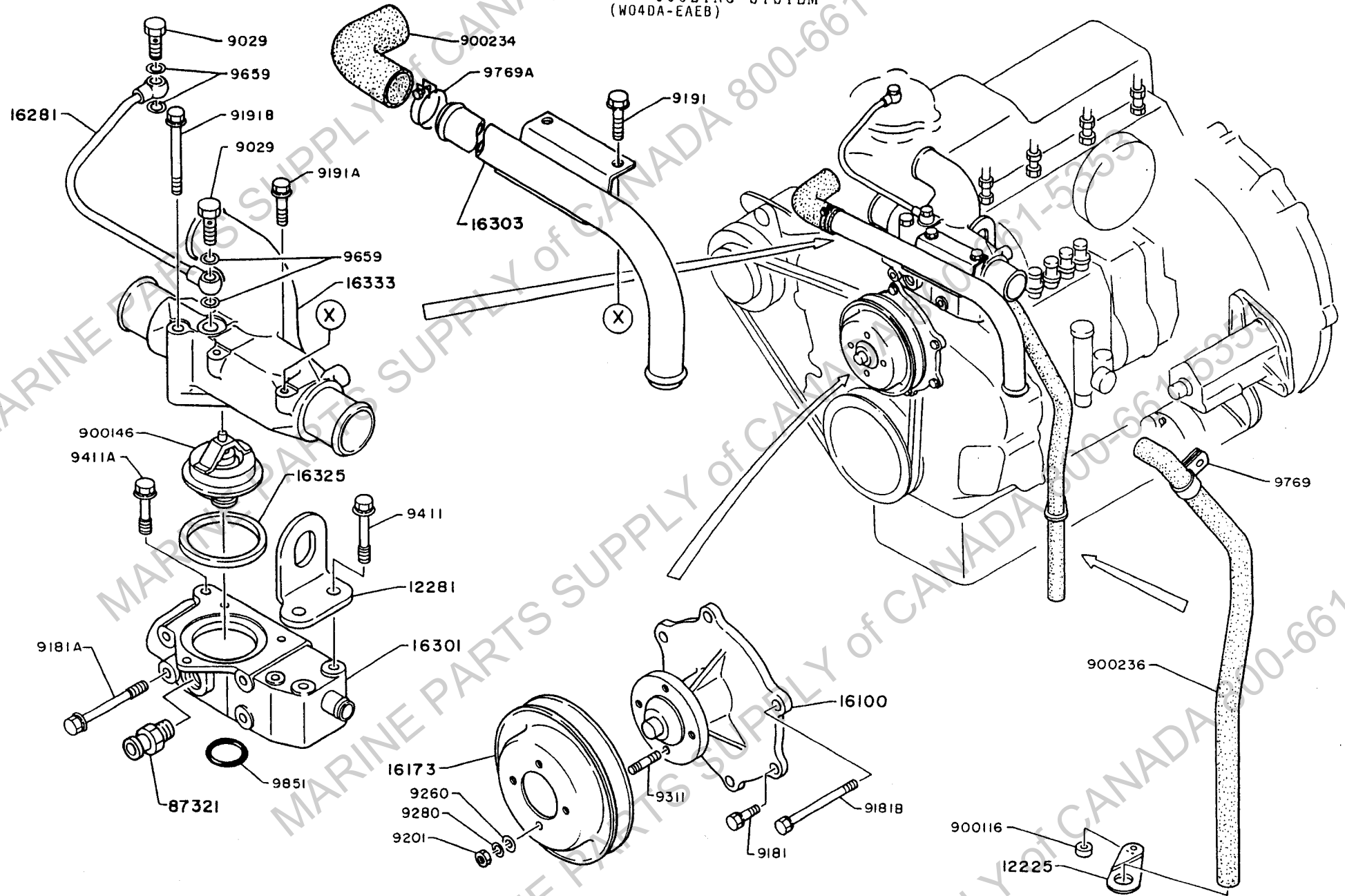


150 hp

2-B9

COOLING SYSTEM (W04DA-EAEB)

1602



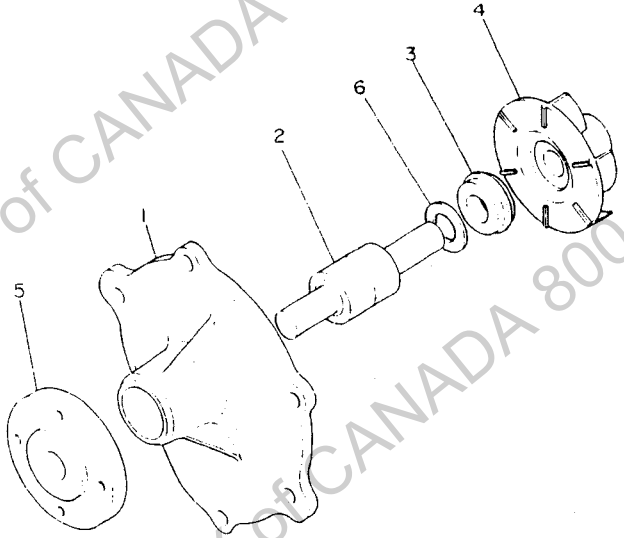
1602-B



HE11-040-00X07
(1601)

1690-1659N PUMP, COOLANT

1659N
1-NO.2

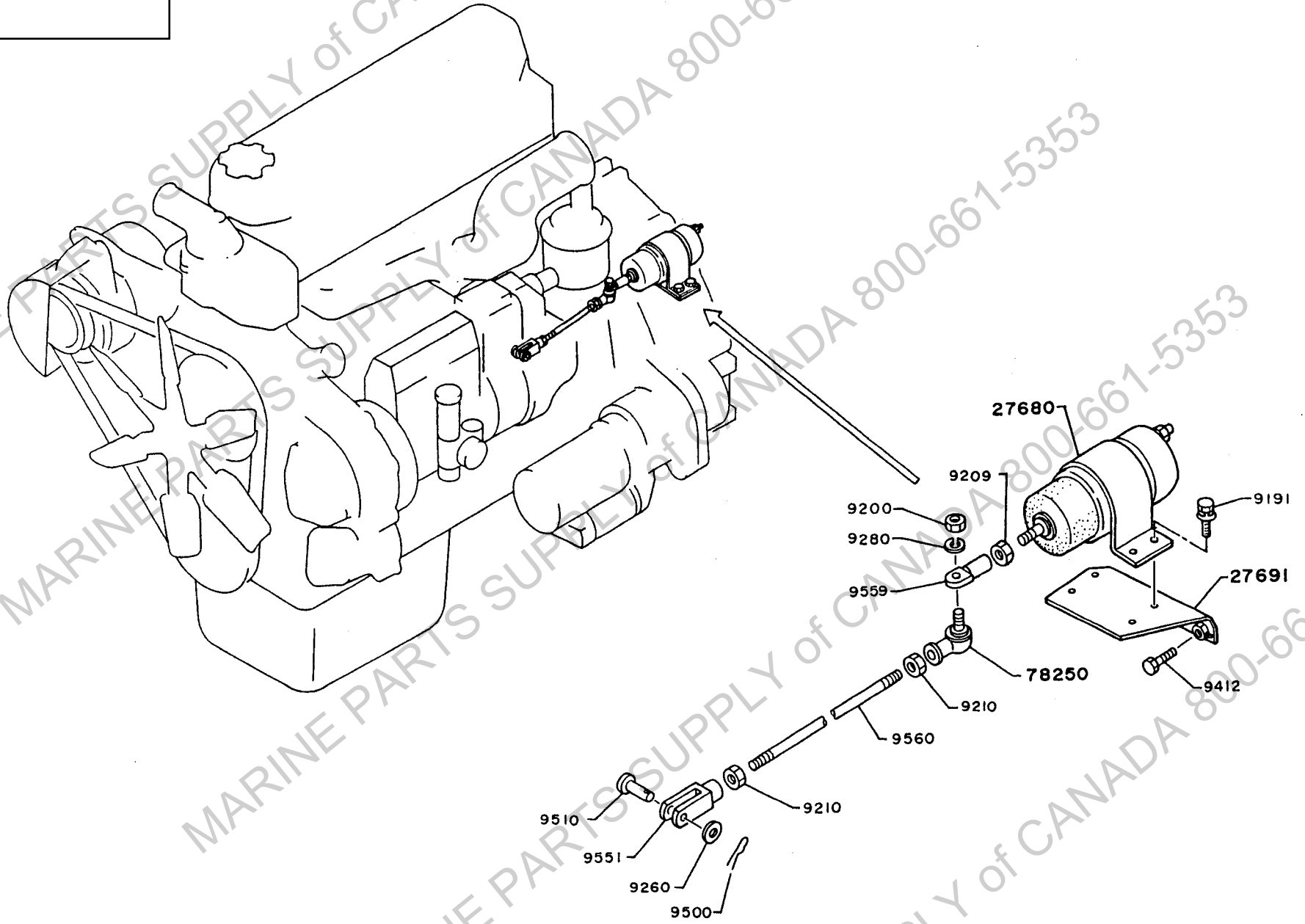


150 hp

1700

2-19

ENGINE CONTROL SYSTEM
(W04CTA-EAEA, EAEB)



1700-B

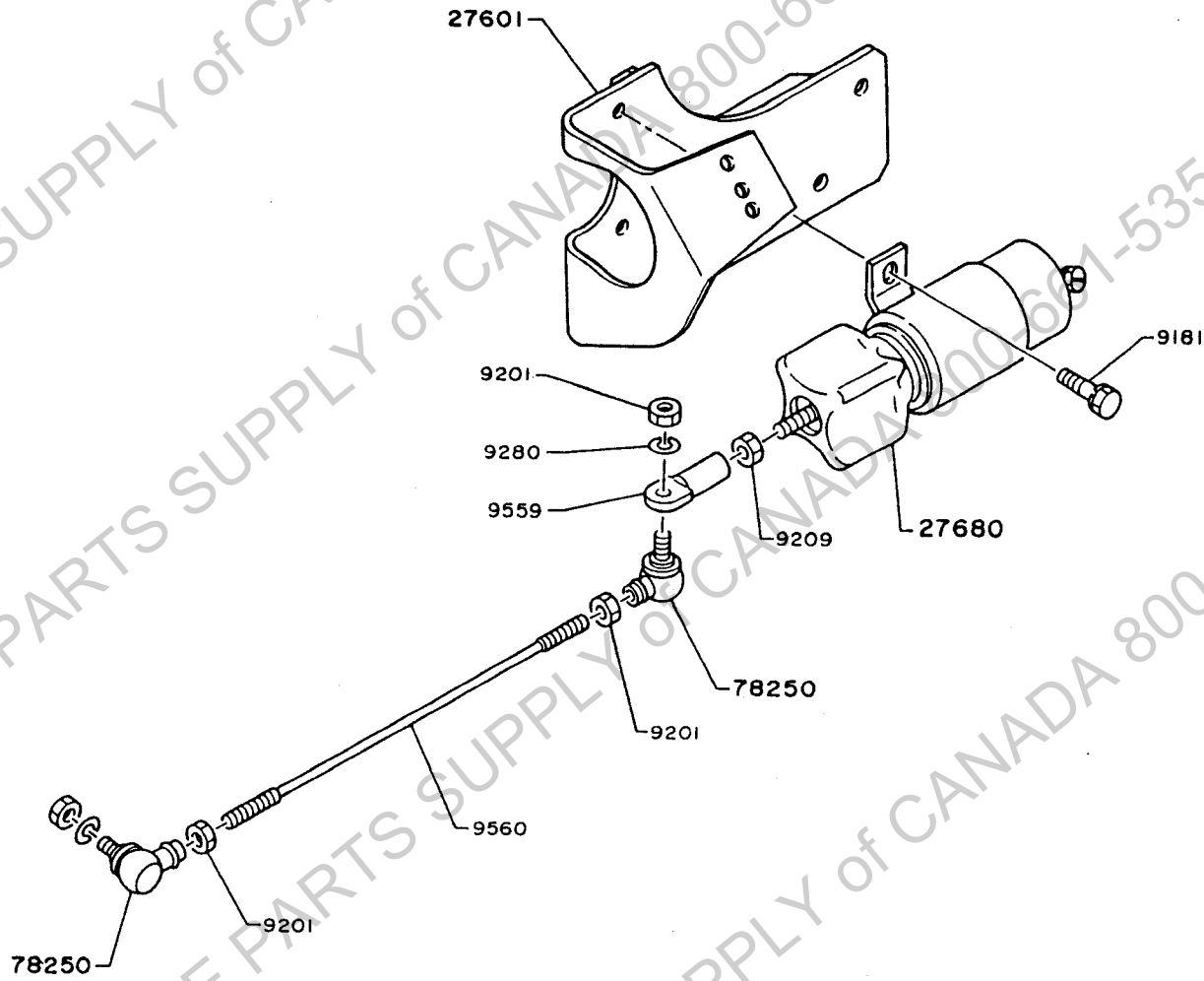
(1700) • W04110
HE11-038-00X03

210 hp

2-J9

1700

ENGINE CONTROL SYSTEM
(W04CTA-EAEC, EBEB)



1700-C
↓

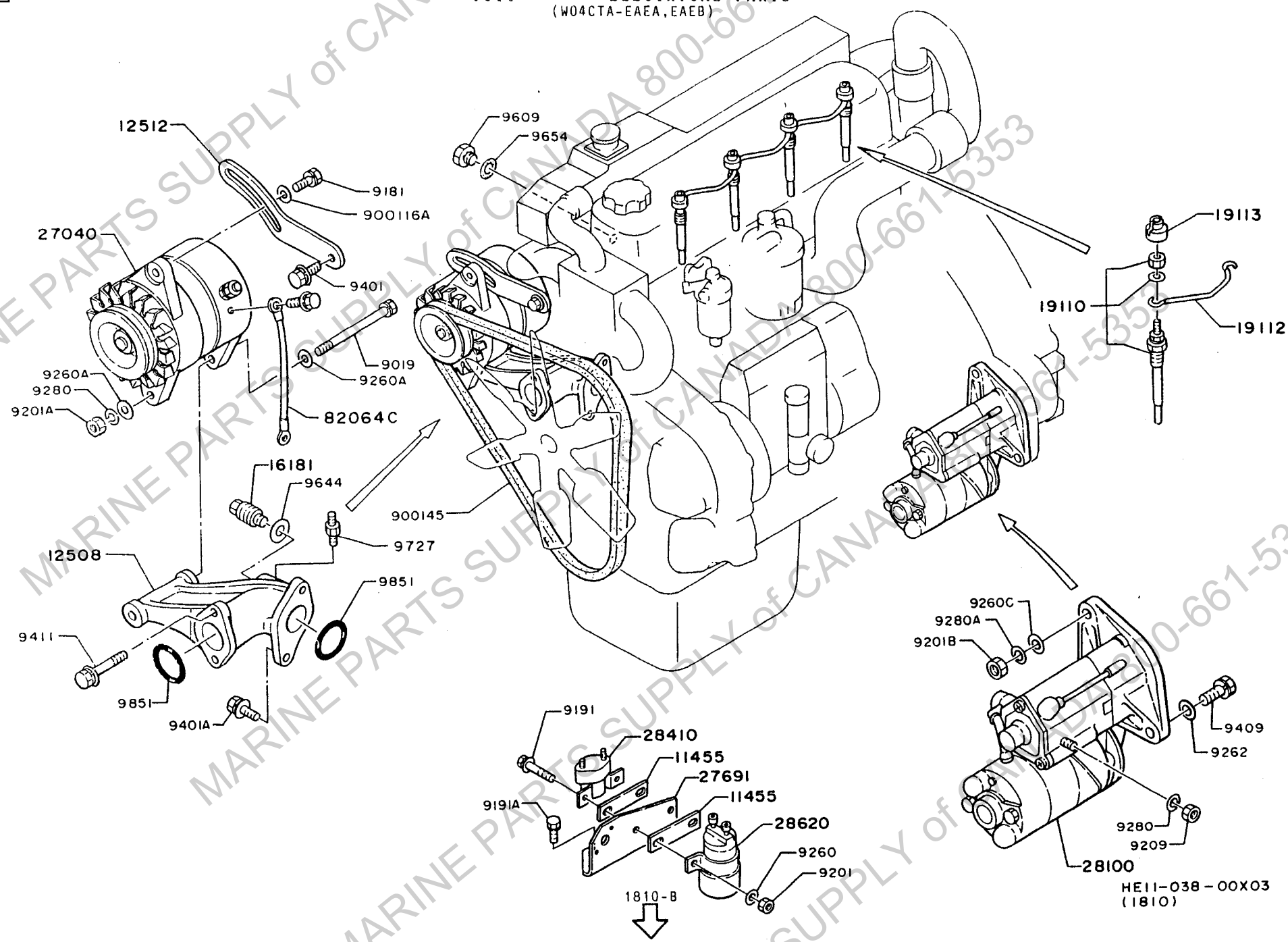
(1700) ●
HE11-039-00X11X12

150 hp

2-L10

1810

ELECTRICAL PARTS
(W04CTA-EAEA, EAEB)



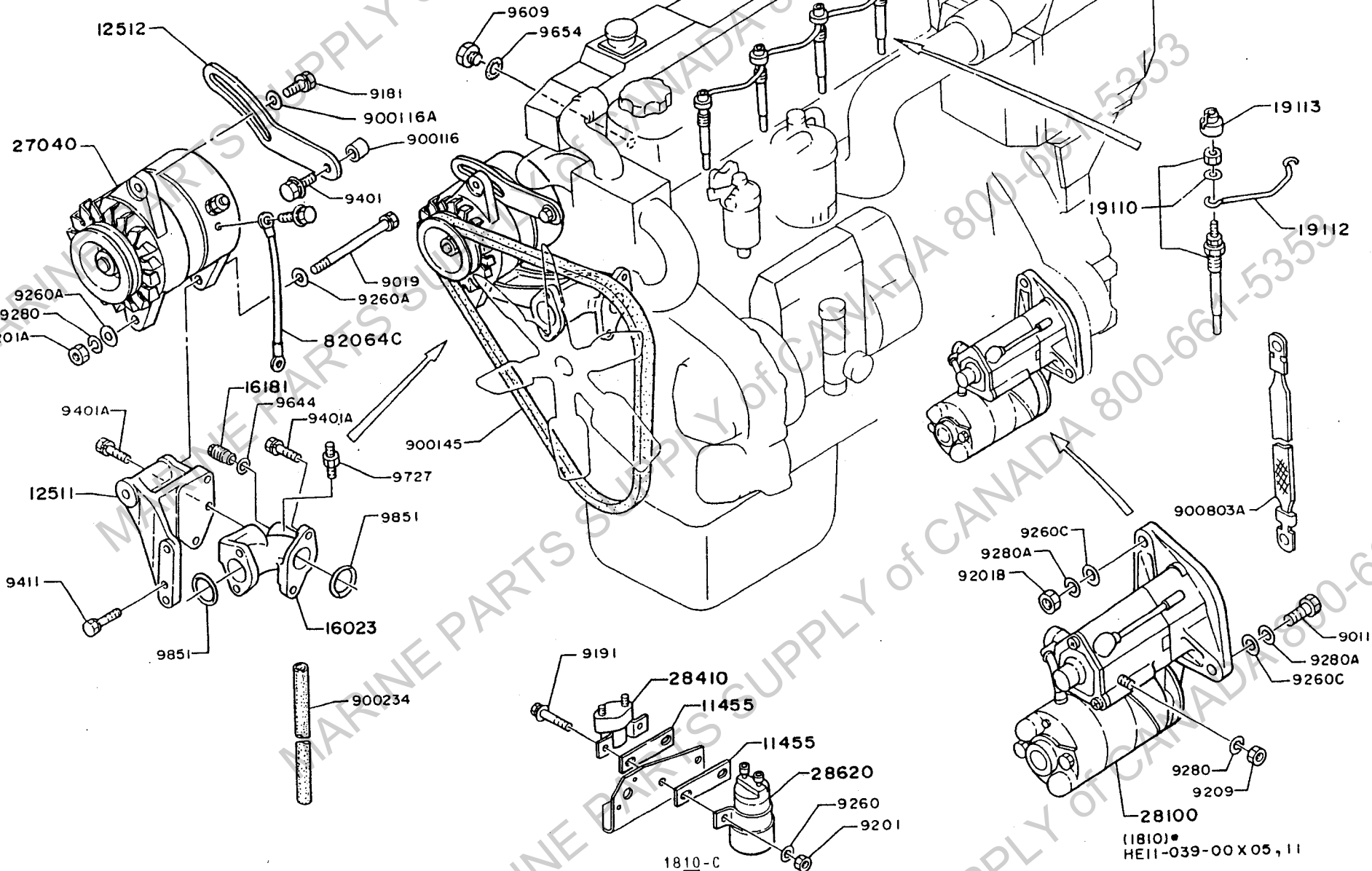
HE11-038-00X03
(1810)

337

210hp

2-M10

1810 ELECTRICAL PARTS (W04CTA-EAEC)



1810-C

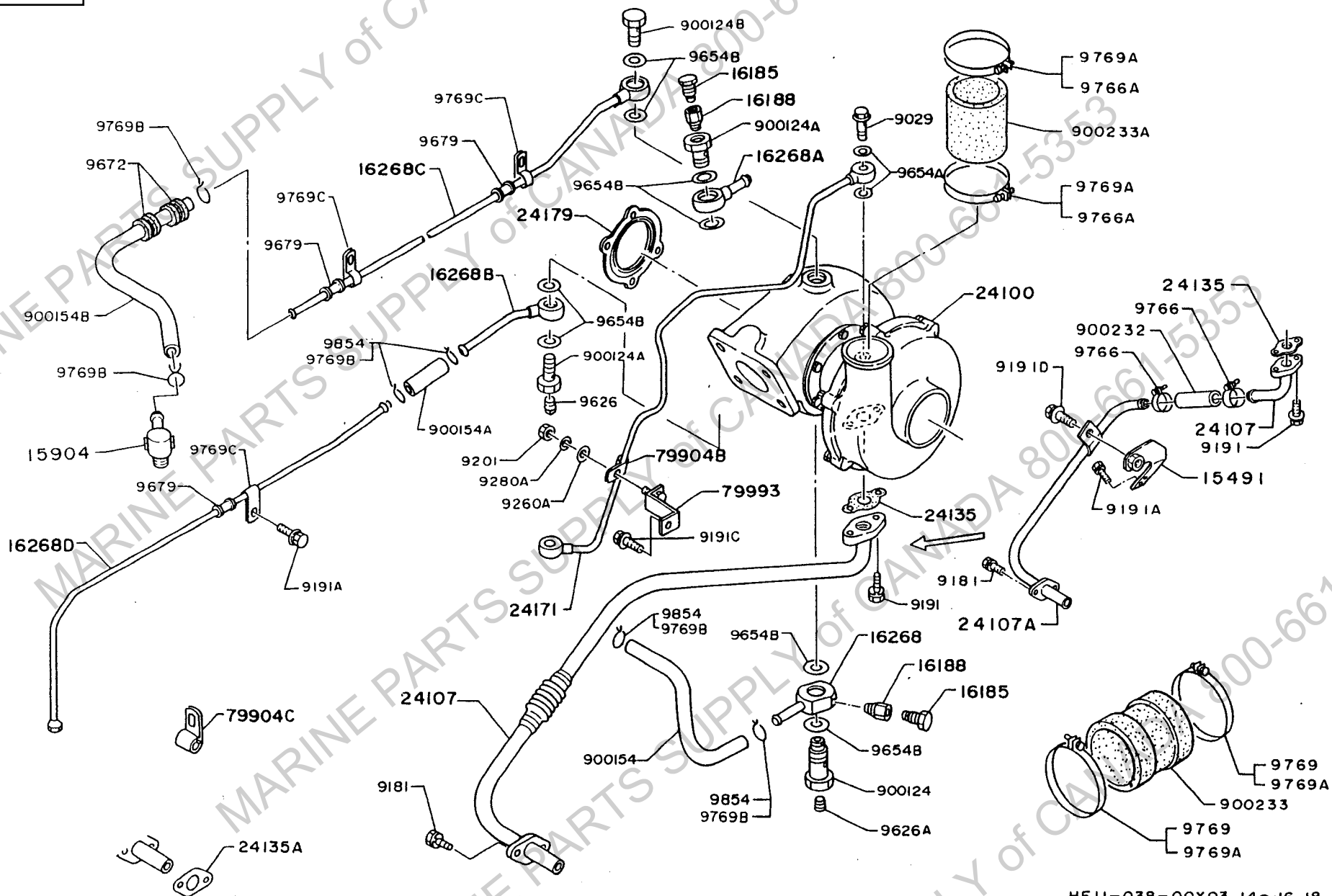
2-A11

(1810)•
HE11-039-00X05,11

150 hp

2-J12

1830 TURBOCHARGER
(W04CT-EXEG, EXEH, EXEI, W04CTA-EAEA, EAEB, EDEA)



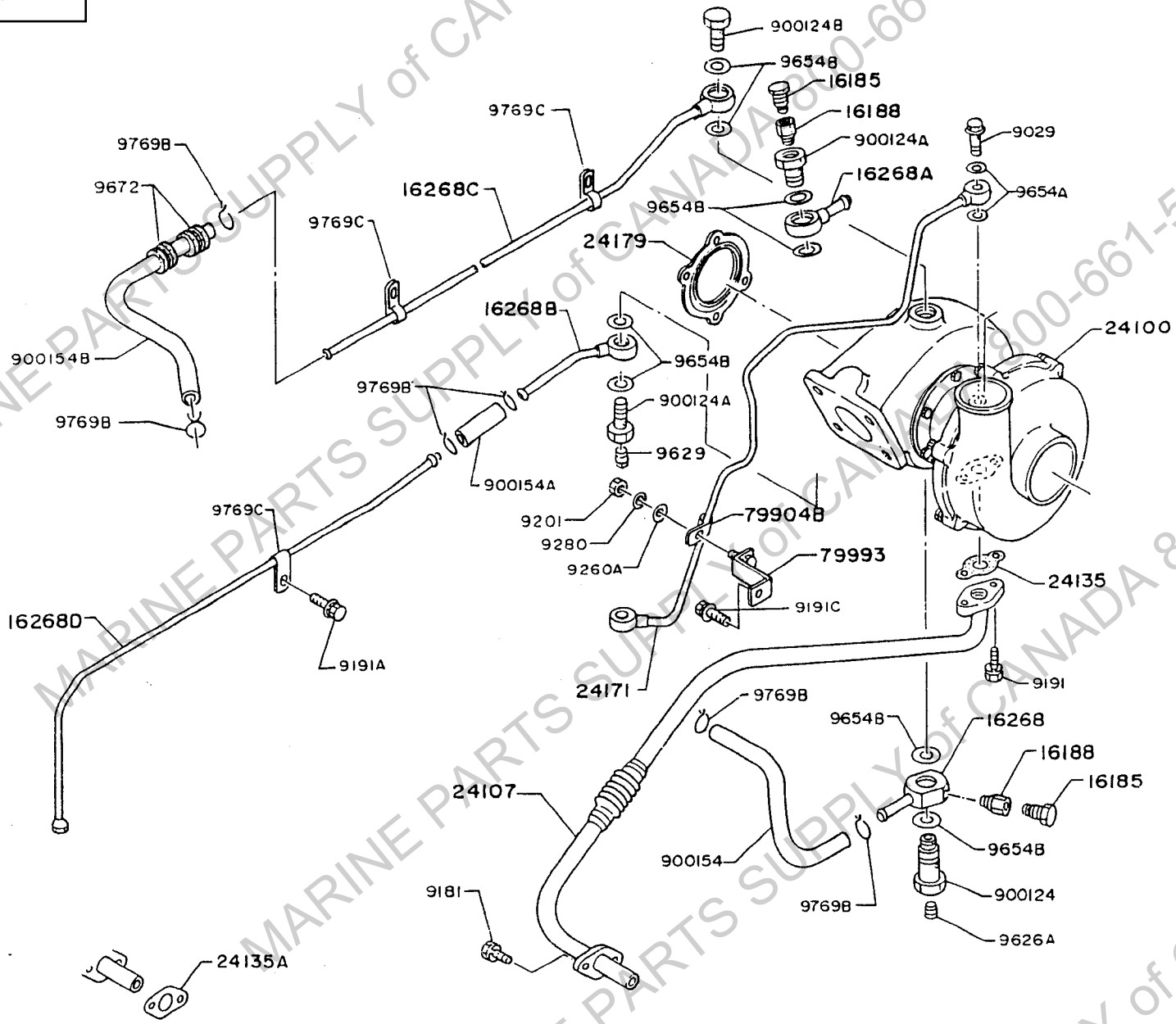
1830-A
↓

HE11-038-00X03, 14~16, 18
(1830)

210 hp

2-K12

1830 TURBOCHARGER (1/2)
(W04CTA-EAEC, EBEB, EFEA)



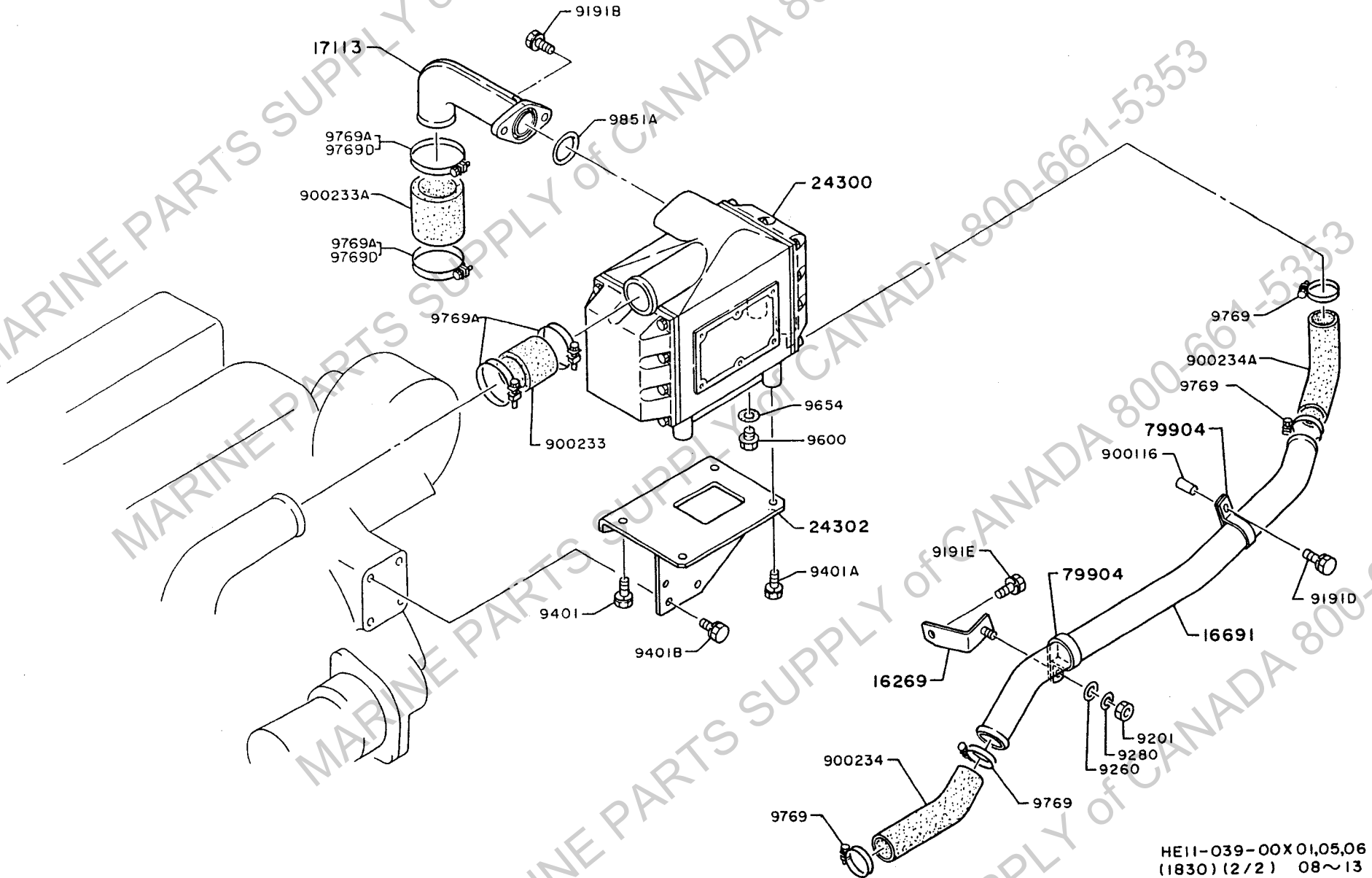
1830-B
↓

HE11-039-00X 01,05,06,08~13
(1830)(1/2)

210 hp

2-L12

1830 TURBOCHARGER (2/2)
(W04CTA-EAEC, EBEB, EFEA)

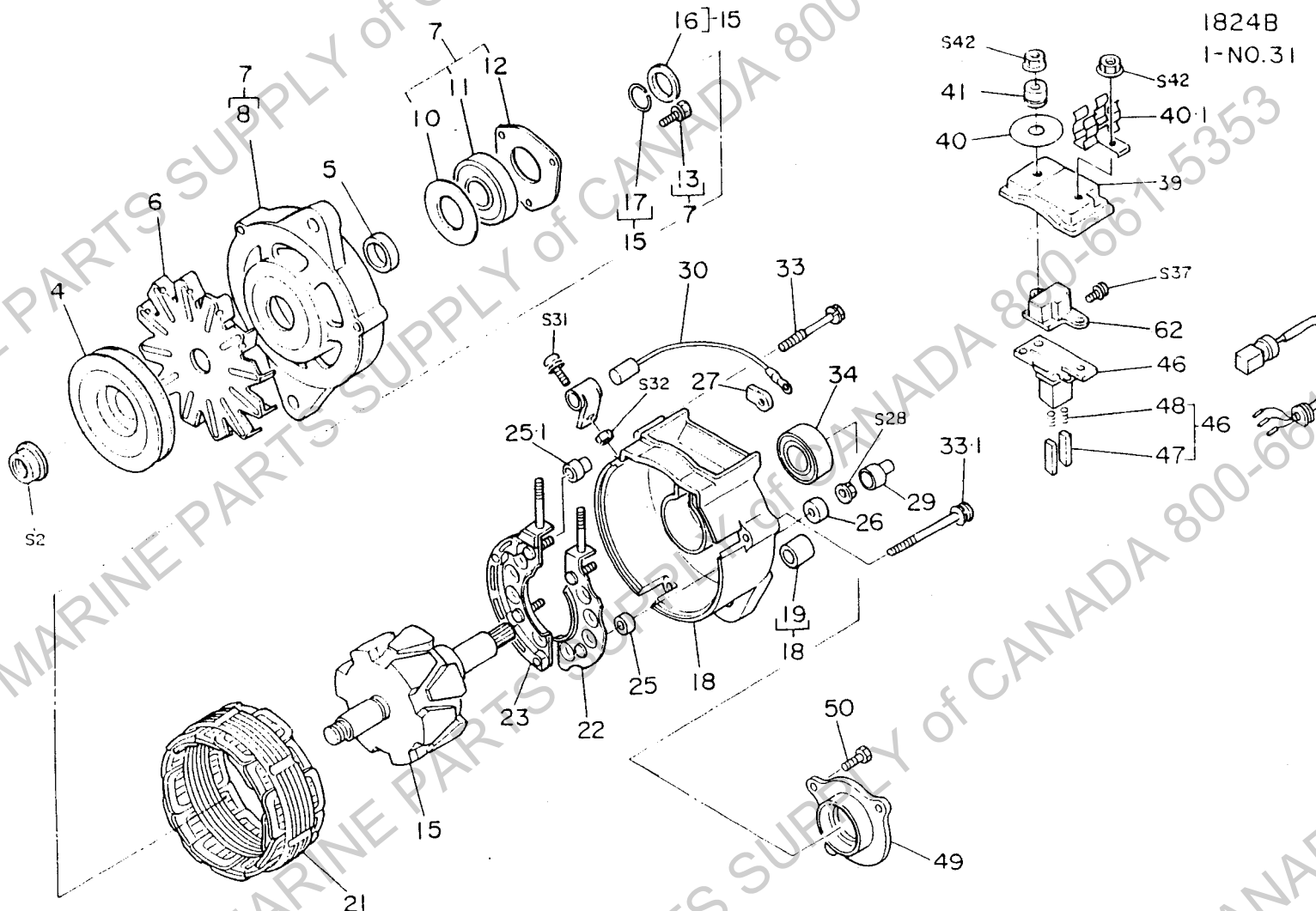


1830-C.

HE11-039-00X01,05,06
(1830) (2/2) 08~13

3-H 1

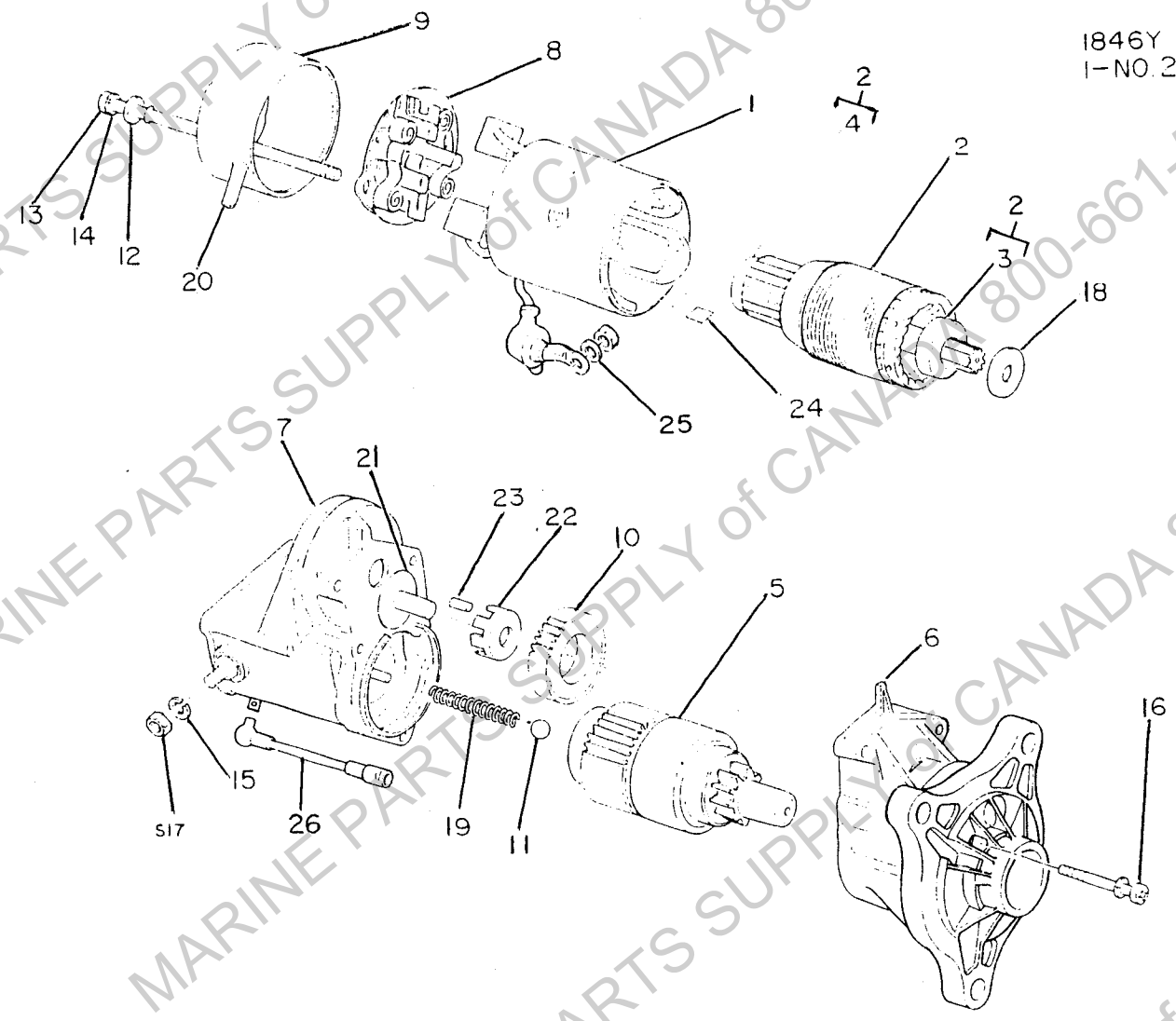
1890-1824B ALTERNATOR



3-A2

1890-1846Y MOTOR, STARTING

1846Y
1-NO. 24

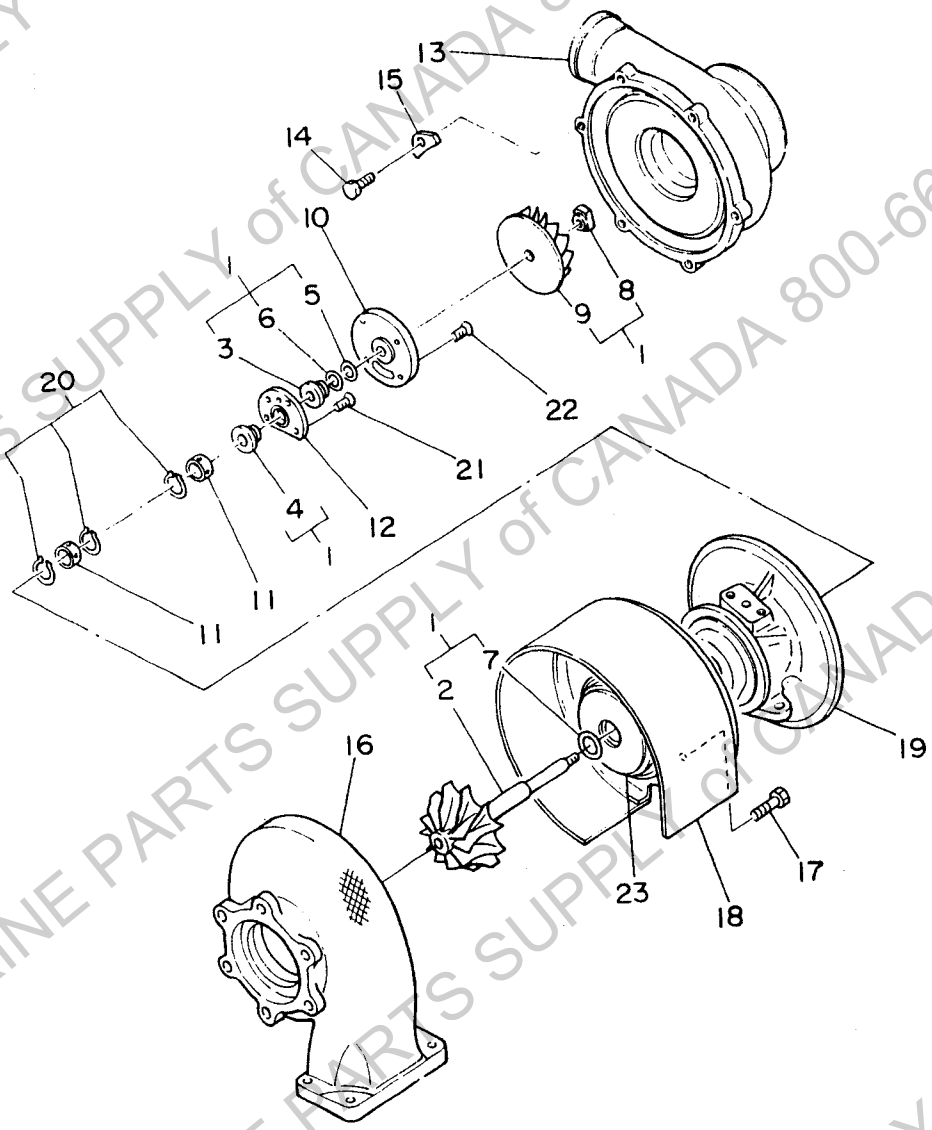


3-H2

1890-1881M TURBOCHARGER

150 hp

1881M
I-NO.20

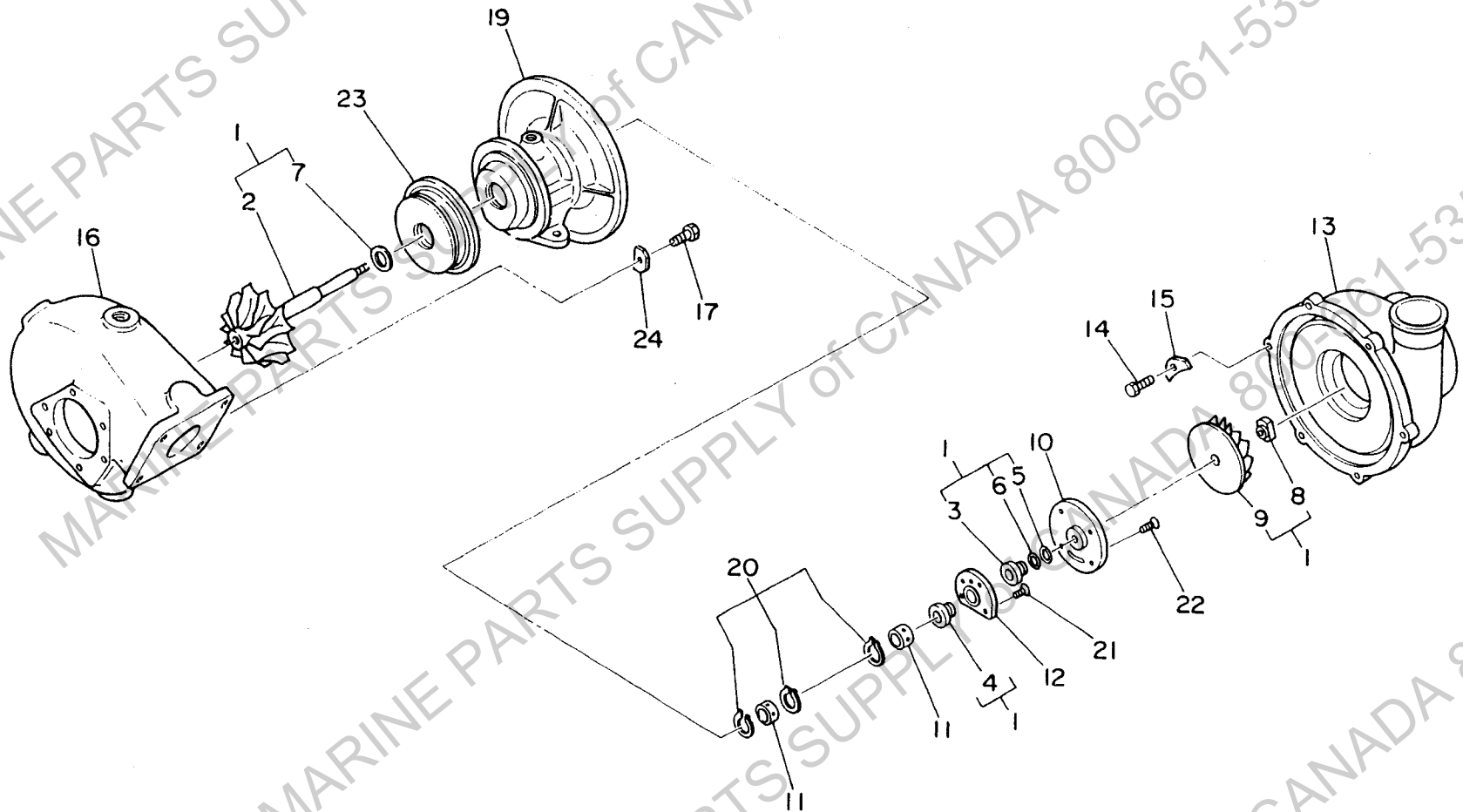


3-i 2

1890-1881M TURBOCHARGER

210 hp

1881M
I-NO.22



1890-1885D INTERCOOLER

1885D

1-NO. 26

210 hp

